

GE Sensing

Features

- Low cost solid state sensor
 - Resistance tolerances down to $\pm 2\%$
 - High sensitivity to changes in temperature
 - Suitable for temperature measurement, control and compensation
 - Excellent mechanical strength
 - Wide operating temperature range: -58°F to 302°F (-50°C to 150°C)
-

- Suitable for PCB and probe mountings
- Available in a wide range of material systems
- Also available with epoxy coating
- Available on tape and reel to EIA RS-468A for automatic insertion

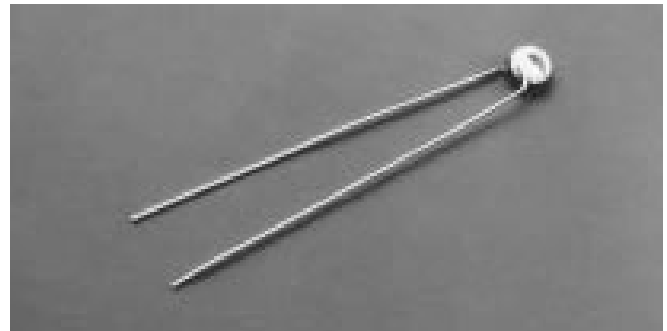
Description

Point-matched disc thermistor with bare lead-wires.

NTC Thermistors Type RL14

Uncoated Disc With Radial Leads

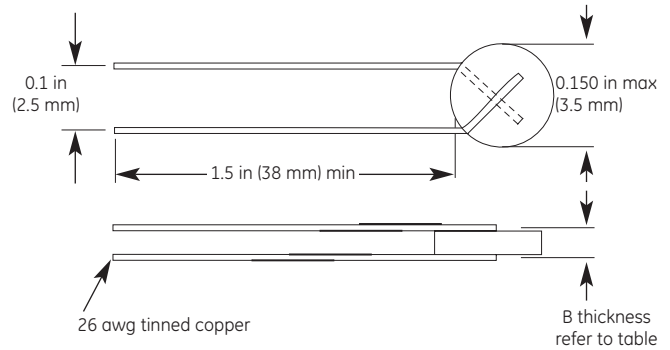
General Purpose Sensors is a Thermometrics product. Thermometrics has joined other GE high-technology sensing businesses under a new name—GE Industrial, Sensing.



Type RL14 Specifications

Type Number	Ro@25°C Ω	Material Systems	Beta 25/85	B in mm		δ (mW/K)	τ (sec.)
RL1404-32.8-59-M	50	D5.9	3096	0.130	3.30	5.5	10
RL1403-125-73-K	200	D7.3	3468	0.120	3.05	5.5	6
RL1403-119-85-K	200	D8.5	3772	0.120	3.05	5.5	6
RL1404-156-73-K	250	D7.3	3468	0.130	3.30	5.5	6
RL1404-187-73-K	300	D7.3	3468	0.130	3.30	5.5	10
RL1404-178-85-K	300	D8.5	3772	0.130	3.30	5.5	10
RL1403-578-95-K	1K	D9.5	3965	0.120	3.05	5.5	6
RL1403-873-97-K	1.5K	D9.7A	3972	0.120	3.05	5.5	6
RL1404-1164-97-K	2K	D9.7A	3972	0.130	3.30	5.5	10
RL1403-1600-103-K	2786	D10.3	4073	0.120	3.05	5.5	6
RL1404-2010-103-K	3.5K	D10.3	4073	0.130	3.30	5.5	10
RL1403-2753-120-K	5K	D12.0	4356	0.120	3.05	5.5	6
RL1404-4131-120-K	7.5K	D12.0	4356	0.130	3.30	5.5	10
RL1406-5506-120-K	10K	D12.0	4356	0.150	3.81	6.0	15

Type Number	Ro@25°C Ω	Material Systems	Beta 25/85	B in mm		δ (mW/K)	τ (sec.)
RL1404-8304-122-K	15K	D12.2	4365	0.130	3.30	5.5	10
RL1405-11K-122-K	20K	D12.2	4365	0.140	3.56	6.0	10
RL1403-13.3K-140-K	25K	D14.0	4615	0.120	3.05	5.5	6
RL1404-16K-140-K	30K	D14.0	4615	0.130	3.30	5.5	10
RL1403-26.3K-150-K	50K	D15.0	4728	0.120	3.05	5.5	6
RL1404-39.6K-150-K	70K	D15.0	4728	0.130	3.30	5.5	10
RL1404-40.6K-138-K	75K	D13.8	4561	0.130	3.30	5.5	10
RL1404-44.5K-155-K	85K	D15.5	4783	0.130	3.30	5.5	10
RL1405-54.1K-138-K	100K	D13.8	4561	0.140	3.56	6.0	10
RL1404-52.3K-155-K	100K	D15.5	4783	0.130	3.30	5.5	10



Options

- Other resistances and tolerances at other temperatures available
- Resistance tolerance codes: G = 2%
 - J = 5%
 - K = 10%
 - L = 15%
 - M = 20%
- Alternative lead lengths, lead materials, insulations
- The "K" suffix is the same as the "DI" suffix in earlier catalogs



©2007 GE. All rights reserved.
920-412A

All specifications are subject to change for product improvement without notice. GE® is a registered trademark of General Electric Co. Other company or product names mentioned in this document may be trademarks or registered trademarks of their respective companies, which are not affiliated with GE.