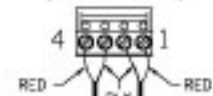
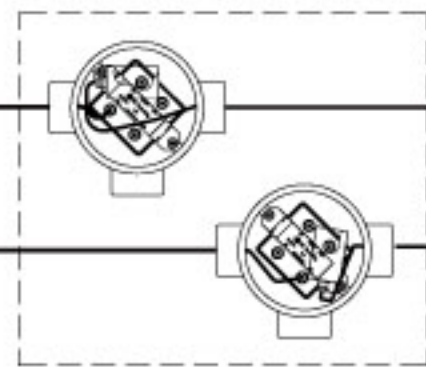


REVISIONS				
REV	ECO	DESCRIPTIONS	OWN	APPD
1	g	ORIGINATED FOR REV CONTROL	CDL	TW
			1/27/08	1/27/08

ELECTRONICS TERMINAL BLOCK
CHANNEL 1
(REF ONLY)



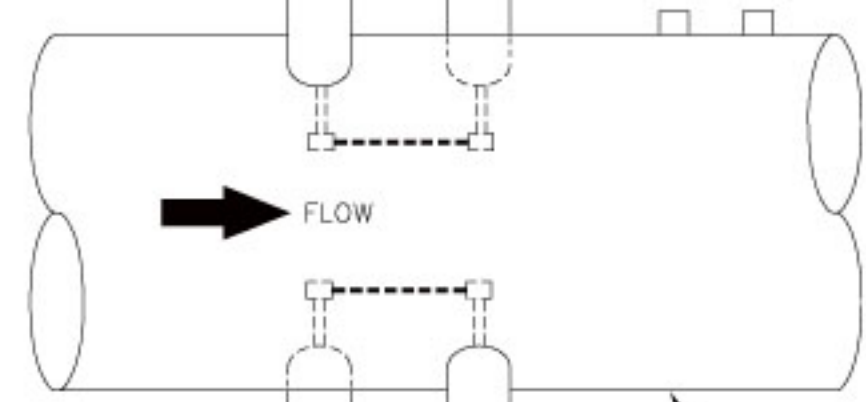
REMOTE PRE-AMP WITH TRANSFORMER
EXPLOSION-PROOF ENCLOSURE



FLYING LEAD TO BNC COAX CABLES
(UP TO 1000 FEET)
SUPPLIED BY GE SENSING

COAXIAL CABLES, BNC TO BNC
(SUPPLIED BY GE SENSING) 10 FOOT

TRANSDUCER
(REF ONLY)



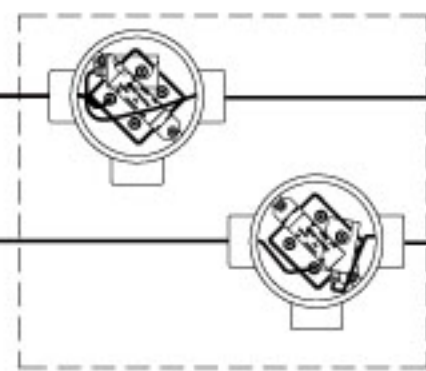
PIPE (REF ONLY)

TRANSDUCER
(REF ONLY)

ELECTRONICS TERMINAL BLOCK
CHANNEL 2
(REF ONLY)

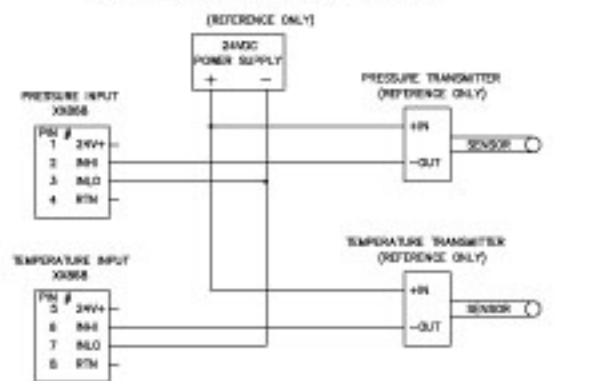


REMOTE PRE-AMP WITH TRANSFORMER
EXPLOSION-PROOF ENCLOSURE

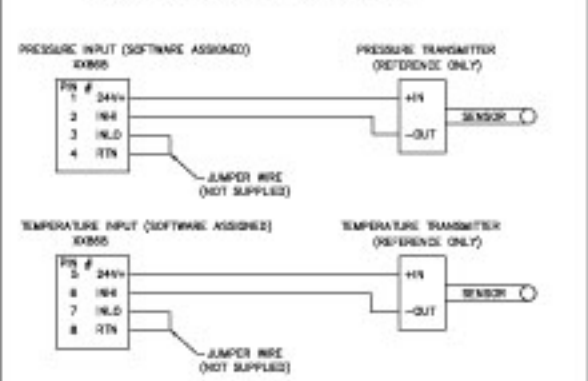


FLYING LEAD TO BNC COAX CABLES
(UP TO 1000 FEET)
SUPPLIED BY GE SENSING

WIRING DETAIL, PRESSURE AND TEMPERATURE INPUTS
USING EXTERNAL 24VDC SUPPLY



WIRING DETAIL, PRESSURE AND TEMPERATURE INPUTS
USING INTERNAL 24VDC SUPPLY



UNLESS OTHERWISE SPECIFIED DIMENSIONS ARE IN INCHES TOLERANCES ARE FRACTIONS DECIMALS ANGLES 1/16" 0.015" 0.031" 1/16"		THIRD ANGLE PROJECTION		GE Sensing 1100 Technology Park Dr. Billerica, MA 01821 USA	
DATE 1/27/08	APPD TW	TITLE INTERCONNECTION DIAGRAM		REV	
CHECKED TW	SALES	2 CHANNEL, 4 PREAMPS, 4 TRANSFORMERS 2 PATH WITH PRESS & TEMP		REV	
CDIT	SC	SIZE D	DRAWING NUMBER 702-888	REV 1	
RN XXXX	DRAWING USED AUTOCAD	MODEL NO. FLARE METER	NOTE NONE	DO NOT SCALE DWG	SHEET 1 OF 1