



DigitalFlow™ XGM868i

***Panometrics General-Purpose Gas Flow Transmitter
(1 & 2 Channel)***

Startup Guide



DigitalFlow™ XGM868i

Panometrics General-Purpose Gas Flow Transmitter (1 & 2 Channel)



Startup Guide

910-197UD

March 2007

DigitalFlow™ is a GE Panometrics product. GE Panometrics has joined other GE high-technology sensing businesses under a new name—GE Sensing.



Warranty

Each instrument manufactured by GE Sensing, Inc. is warranted to be free from defects in material and workmanship. Liability under this warranty is limited to restoring the instrument to normal operation or replacing the instrument, at the sole discretion of GE. Fuses and batteries are specifically excluded from any liability. This warranty is effective from the date of delivery to the original purchaser. If GE determines that the equipment was defective, the warranty period is:

- one year for general electronic failures of the instrument
- one year for mechanical failures of the sensor

If GE determines that the equipment was damaged by misuse, improper installation, the use of unauthorized replacement parts, or operating conditions outside the guidelines specified by GE, the repairs are not covered under this warranty.

The warranties set forth herein are exclusive and are in lieu of all other warranties whether statutory, express or implied (including warranties of merchantability and fitness for a particular purpose, and warranties arising from course of dealing or usage or trade).

Return Policy

If a GE Sensing, Inc. instrument malfunctions within the warranty period, the following procedure must be completed:

1. Notify GE, giving full details of the problem, and provide the model number and serial number of the instrument. If the nature of the problem indicates the need for factory service, GE Infrastructure Sensing, Inc. will issue a RETURN AUTHORIZATION number (RA), and shipping instructions for the return of the instrument to a service center will be provided.
2. If GE instructs you to send your instrument to a service center, it must be shipped prepaid to the authorized repair station indicated in the shipping instructions.
3. Upon receipt, GE will evaluate the instrument to determine the cause of the malfunction.

Then, one of the following courses of action will then be taken:

- If the damage is covered under the terms of the warranty, the instrument will be repaired at no cost to the owner and returned.
- If GE determines that the damage is not covered under the terms of the warranty, or if the warranty has expired, an estimate for the cost of the repairs at standard rates will be provided. Upon receipt of the owner's approval to proceed, the instrument will be repaired and returned.

Table of Contents

Chapter 1: Installation

Introduction.....	1-1
Unpacking	1-2
Site Considerations.....	1-2
Electronics Enclosure Location	1-3
Flowcell Location	1-3
Transducer Location.....	1-3
Cable Lengths.....	1-4
Temperature and Pressure Transmitters.....	1-4
Transducer Cables.....	1-4
Installing a Flowcell.....	1-4
Installing Temperature and Pressure Transmitters	1-5
Mounting the XGM868i Electronics Enclosure	1-6
Making the Electrical Connections.....	1-6
Wiring the Line Power	1-8
Wiring the Transducers	1-9
Wiring Std 0/4-20 mA Analog Outputs.....	1-11
Wiring the Serial Port	1-12
Wiring the Option Cards	1-16

Chapter 2: Initial Setup

Introduction.....	2-1
Programming Methods	2-1
The XGM868i Enclosure Infrared Keypad.....	2-2
Entering Data in the Global Menu	2-4
Entering Global System Data.....	2-4
Activating a Channel	2-7
Entering System Data for the Channel.....	2-8
Entering Transducer and Pipe Parameters.....	2-10
Special Transducers	2-10
Pipe Data	2-11

Chapter 3: Operation

Introduction.....	3-1
Powering Up	3-2
The LCD Display	3-3
The Optional PanaView Display	3-4
Taking Measurements	3-5
Programming the LCD	3-5
Using the LCD Display	3-8
PanaView Display	3-9
Pausing Measurement.....	3-12

Table of Contents (cont.)

Chapter 4: Specifications

General Specifications	4-1
Electrical Specifications	4-2
Flow Transducer Specifications	4-4
Flowcell Specifications	4-5
Spoolpiece	4-5
Cold Tap	4-5
Pipe Size & Materials	4-5

Appendix A: CE Mark Compliance

Introduction	A-1
Wiring	A-1

Appendix B: Data Records

Available Option Cards	B-1
Option Cards Installed	B-2
Setup Data	B-3

Appendix C: Measuring P and L Dimensions

Introduction	C-1
Measuring P and L	C-1

Chapter 1

Installation

- Introduction..... 1-1
- Unpacking 1-2
- Site Considerations 1-2
- Installing a Flowcell..... 1-4
- Installing Temperature and Pressure Transmitters..... 1-5
- Mounting the XGM868i Electronics Enclosure..... 1-6
- Making the Electrical Connections..... 1-6

Introduction

To ensure safe and reliable operation of the Model XGM868i Ultrasonic Flow Transmitter, the system must be installed in accordance with the guidelines established by GE Sensing engineers. Those guidelines, which are explained in detail in this chapter, include the following specific topics:

- Unpacking the Model XGM868i system
- Selecting suitable sites for the electronics enclosure and the flowcell/transducers
- Installing the flowcell/transducers

Note: *See the enclosed Transducer Installation Guide for detailed instructions on transducer installation.*

- Installing optional temperature and pressure transmitters
- Installing the electronics enclosure
- Wiring the electronics enclosure

!WARNING!

The Model XGM868i flow transmitter can measure the flow rate of many gases, some of which are potentially hazardous. In such cases, the importance of proper safety practices cannot be overemphasized.

Be sure to follow all applicable local safety codes and regulations for installing electrical equipment and working with hazardous gases or flow conditions. Consult company safety personnel or local safety authorities to verify the safety of any procedure or practice.

!ATTENTION EUROPEAN CUSTOMERS!

To meet CE Mark requirements, all cables must be installed as described in Appendix A, *CE Mark Compliance*.

Unpacking

Carefully remove the electronics enclosure, the transducers, and the cables from the shipping containers. Before discarding any of the packing materials, account for all components and documentation listed on the packing slip. The discarding of an important item along with the packing materials is all too common. If anything is missing or damaged, contact the factory immediately for assistance.

Site Considerations

Because the relative location of the flowcell and the electronics enclosure is important, use the guidelines in this section to plan the XGM868i installation. Figure 1-1 below shows a typical XGM868i enclosure and spoolpiece ready for insertion into a process line.

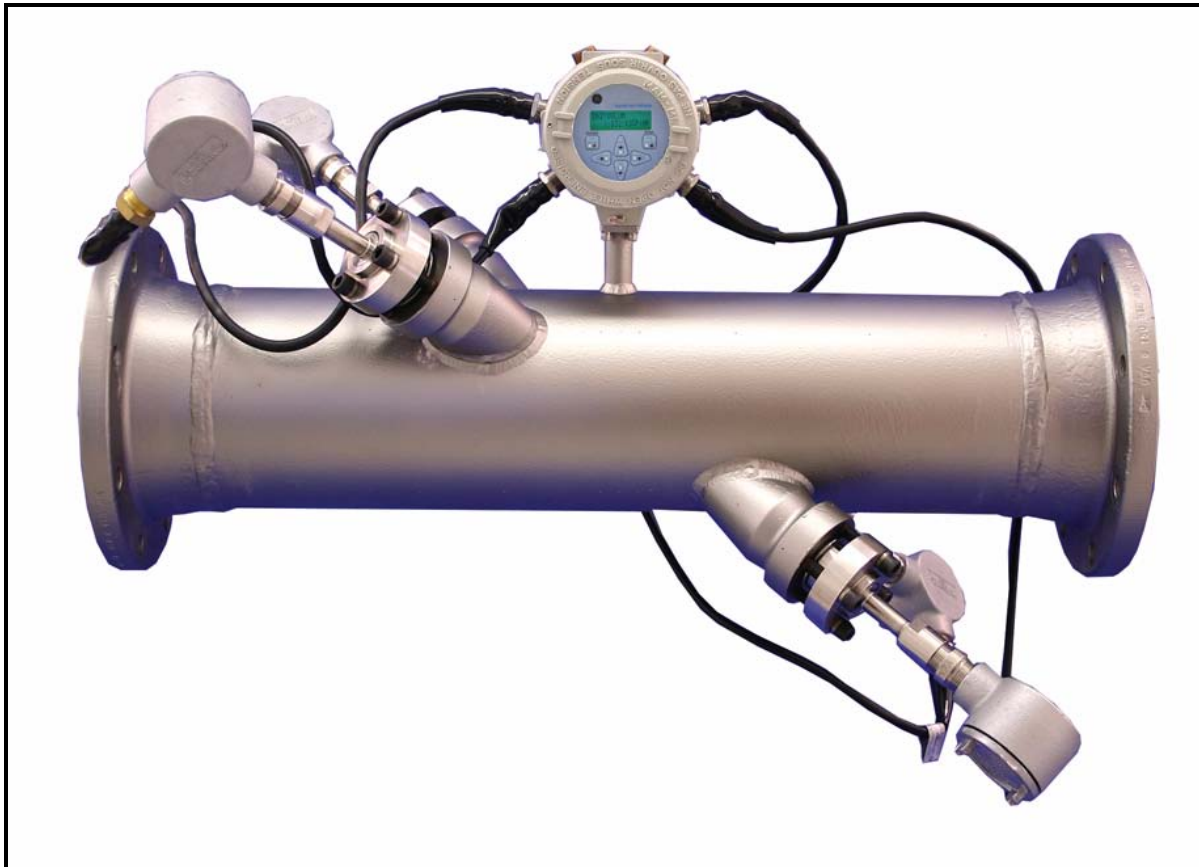


Figure 1-1: A Typical Model XGM868i System

Electronics Enclosure Location

The standard Model XGM868i electronics enclosure is a powder-coated, cast-aluminum, Type-7/4X explosion-proof enclosure; an optional stainless-steel enclosure is available. Typically, the enclosure is mounted as close as possible to the transducers. When choosing a site, make sure the location permits easy access to the electronics enclosure for programming, maintenance and service.

Note: *For compliance with the European Union's Low Voltage Directive (73/23/EEC), this unit requires an external power disconnect device such as a switch or circuit breaker. The disconnect device must be marked as such, clearly visible, directly accessible, and located within 1.8 m (6 ft) of the Model XGM868i.*

Flowcell Location

The pipeline flowcell consists of the flow rate transducers and any pressure and/or temperature transducers employed as part of the flow measurement system. Ideally, choose a section of pipe with unlimited access to the flowcell; for example, a long stretch of pipe that is above ground. However, if the flowcell is to be mounted on an underground pipe, dig a pit around the pipe to facilitate installation of the transducers.

Transducer Location

For a given fluid and pipe, the Model XGM868i's accuracy depends primarily on the location and alignment of the transducers. In addition to accessibility, when planning for transducer location, adhere to the following guidelines:

1. Locate the transducers so that there are at least 20 pipe diameters of straight, undisturbed flow upstream and 10 pipe diameters of straight, undisturbed flow downstream from the measurement point. To ensure undisturbed flow, avoid sources of turbulence in the fluid such as valves, flanges, expansions and elbows; and dips or low spots in which condensed liquid may collect.
2. Because condensate or sediment at the bottom of the pipe may cause attenuation of the ultrasonic signal, locate the transducers on the side of a horizontal pipe, when possible. If limited pipe access necessitates top-mounted transducers and the sound beam path includes a reflection, shift the transducers to at least 10° off top dead center. This will minimize the influence of any sediment on the reflected ultrasonic signals.

Cable Lengths

Locate the electronics enclosure as close as possible to the flowcell/transducers, preferably directly on the flowcell. However, the factory can supply transducer cables up to 1,000 ft (300 m) in length for remote location of the electronics enclosure. If longer cables are required, consult the factory for assistance.

Temperature and Pressure Transmitters

When installing temperature and/or pressure transmitters in the flowcell, locate them downstream of the transducers. These transmitters should be positioned no closer to the Model XGM868i transducers than 2 pipe diameters and no further away from the transducers than 20 pipe diameters.

Transducer Cables

When installing the transducer cables, always observe established standard practices for the installation of electrical cables. Specifically, do not route transducer cables alongside high-amperage AC power lines or any other cables that could cause electrical interference. Also, protect the transducer cables and connections from the weather and corrosive atmospheres.

Note: *When using non-GE Sensing cables to connect the flow rate transducers to the Model XGM868i electronics enclosure, the cables must have electrical characteristics identical to the GE Sensing cables. Type RG62 a/u coaxial cable should be used, and each cable must be the same length (within ± 4 in.).*

Installing a Flowcell

A flowcell is the section of pipe where the transducers are mounted. It can be created either by mounting the transducers on the existing pipeline or by mounting them on a spoolpiece. A spoolpiece is a separately manufactured pipe section, matched to the existing pipe, which contains ports for mounting the transducers. This approach allows the transducers to be aligned and calibrated before inserting the spoolpiece into the pipeline.

Figure 1-1 on page 1-2 shows a typical Model XGM868i spoolpiece, with a mounting bracket to hold the electronics enclosure. For detailed instructions on installing the transducers and/or spoolpiece, refer to the supplied drawings and the enclosed *GE Sensing Gas Transducer Installation Guide (916-049)*.

Installing Temperature and Pressure Transmitters

Optional temperature and pressure transmitters may be installed near the ultrasonic transducer ports as part of the flowcell. Be sure to observe the siting requirements given earlier in this chapter. These transmitters should send a 0/4-20 mA signal to the Model XGM868i. In turn, the Model XGM868i must be fitted with a suitable option card to process the signals and to provide the required 24 VDC power to the transmitters. Any desired transmitters or sensors may be used, but they must have an accuracy equal to 0.5% of the reading or better.

Note: *Resistive Thermal Devices (RTDs) are a good choice for measuring the temperature.*

Typically, a 1/2" or 3/4" NPT female threaded port is used to mount the transmitters on the flowcell. If the pipeline is insulated, the coupling may need to be extended to provide convenient access. Of course, other types of mounting ports, including flanged ports, may be used for the transmitters.

Figure 1-2 below shows a typical mounting arrangement for the pressure and temperature transmitters. The temperature sensor should protrude 1/4 to 1/2 way into the pipe.

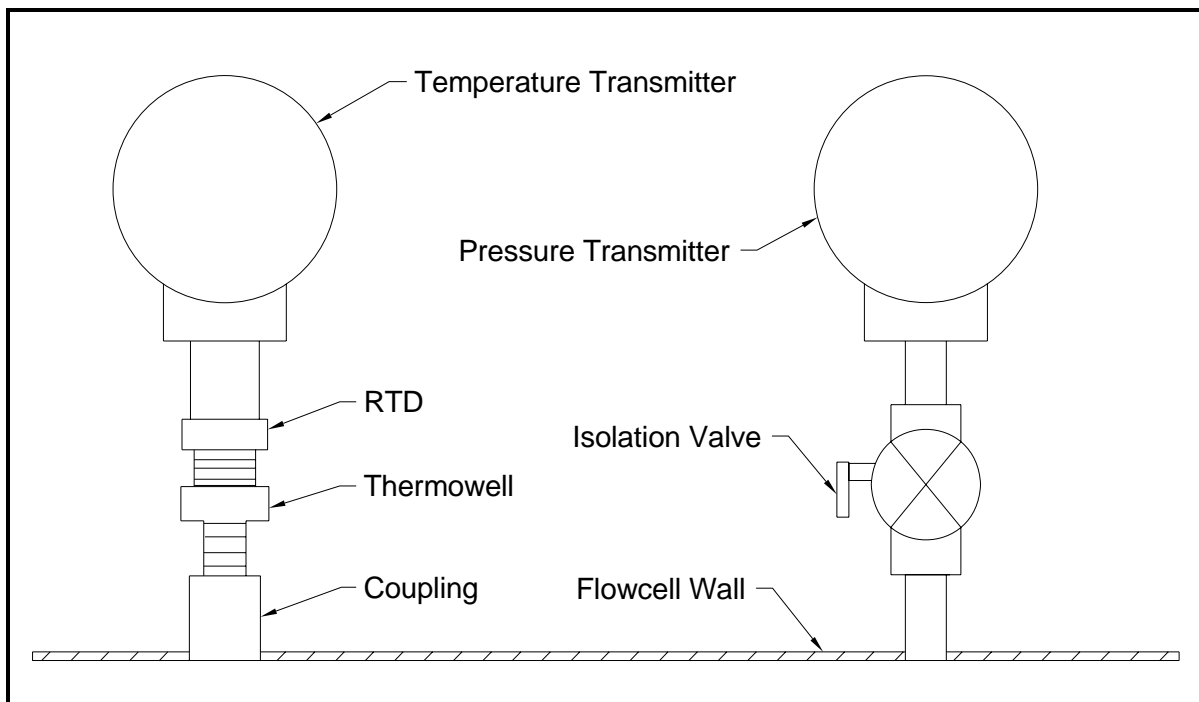


Figure 1-2: Typical Temperature/Pressure Transmitter Mounting

Mounting the XGM868i Electronics Enclosure

The standard Model XGM868i electronics package is housed in a Type-4X weather-resistant enclosure suitable for indoor or outdoor use. Refer to Figure 1-8 on page 1-25 for the mounting dimensions and the weight of this enclosure.

The Model XGM868i electronics enclosure is fitted with a mounting boss that has a single 3/4" NPTF threaded hole at its center and four 1/4-20 tapped holes at its corners. By using this mounting boss, the electronics enclosure may be mounted by any of the typical techniques shown in Figure 1-10 on page 1-27.

!WARNING!

Proper grounding of the XGM868i chassis is required to prevent the possibility of electric shock. See Figure 1-10 on page 1-27 for the location of the chassis grounding screw.

IMPORTANT: *Since the IREX keys do not work properly in direct sunlight, be sure to position the XGM868i with an optional sunshield or out of direct sunlight.*

Making the Electrical Connections

This section contains instructions for making all the necessary electrical connections to the Model XGM868i flow transmitter. Refer to Figure 1-10 on page 1-27 for a complete wiring diagram.

Except for the power connector, all electrical connectors are stored on their terminal blocks during shipment and may be removed from the enclosure for more convenient wiring. Simply, feed the cables through the conduit holes on the side of the enclosure, attach the wires to the appropriate connectors and plug the connectors back onto their terminal blocks.

!ATTENTION EUROPEAN CUSTOMERS!

To meet CE Mark requirements, all cables must be installed as described in Appendix A, CE Mark Compliance.

Refer to Figure 1-3 on the next page and prepare the Model XGM868i for wiring by completing the following steps:

Making the Electrical Connections (cont.)

!WARNING!

Always disconnect the line power from the Model XGM868i before removing either the front cover or the rear cover. This is especially important in a hazardous environment.

1. Disconnect any existing power line from its source.
2. Loosen the set screw on the rear cover.
3. Place a rod or long screwdriver across the cover in the slots provided, and rotate the cover counterclockwise until it comes free from the enclosure.
4. Install any required cable clamps in the appropriate conduit holes around the side of the enclosure.
5. Note the labels inside the rear cover to assist in wiring the power and option card connections. Also, Figure 1-11 on page 1-28 shows the rear cover option card labels for every available option card configuration.

Proceed to the appropriate section of this chapter to make the desired wiring connections.

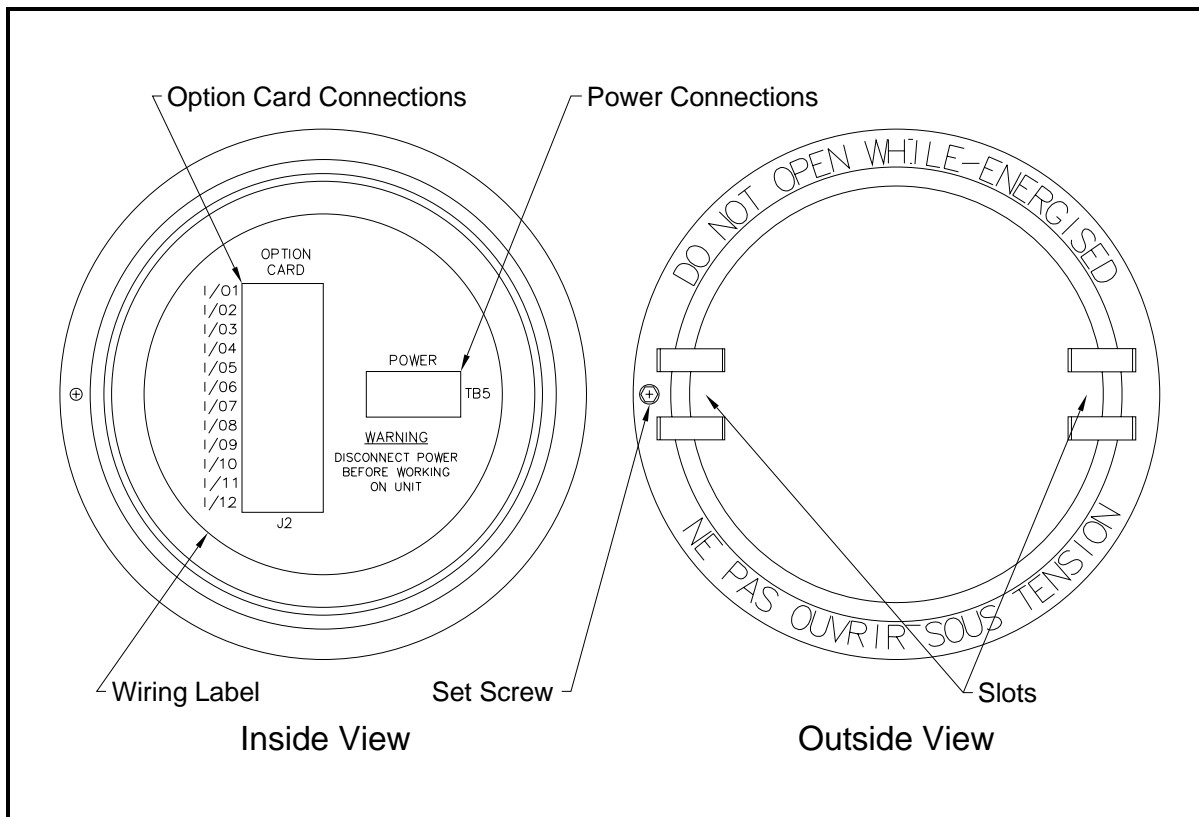


Figure 1-3: Rear Cover with Connection Labels

Wiring the Line Power

The Model XGM868i may be ordered for operation with power inputs of 100-120 VAC, 220-240 VAC, or 12-28 VDC. The label on the side of the electronics enclosure lists the meter's required line voltage and power rating. The fuse size is listed in Chapter 4, *Specifications*. Be sure to connect the meter only to the specified line voltage.

Note: *For compliance with the European Union's Low Voltage Directive (73/23/EEC), this unit requires an external power disconnect device such as a switch or circuit breaker. The disconnect device must be marked as such, clearly visible, directly accessible, and located within 1.8 m (6 ft) of the Model XGM868i.*

Refer to Figure 1-10 on page 1-27 to locate terminal block TB5 and connect the line power as follows:

!WARNING!

Improper connection of the line power leads or connecting the meter to the incorrect line voltage may damage the unit. It may also result in hazardous voltages at the flowcell and associated piping as well as within the electronics enclosure.

1. Prepare the line power leads by trimming the line and neutral AC power leads (or the positive and negative DC power leads) to a length 0.5 in. (1 cm) shorter than the ground lead. This ensures that the ground lead is the last to detach if the power cable is forcibly disconnected from the meter.
2. Install a suitable cable clamp in the conduit hole indicated in Figure 1-10 on page 1-27. If possible, avoid using the other conduit holes for this purpose, to minimize any interference in the circuitry from the AC power line.

!ATTENTION EUROPEAN CUSTOMERS!

To meet CE Mark requirements, all cables must be installed as described in Appendix A, *CE Mark Compliance*.

3. Strip 1/4 in. of insulation from the end of each of the three power line leads.
4. Route the cable through the conduit hole and connect the line power leads to terminal block TB5, using the pin number assignments shown in Figure 1-10 on page 1-27.

Wiring the Line Power
(cont.)

5. Leaving a bit of slack, secure the power line with the cable clamp.

!WARNING!

Make sure both covers, with their o-ring seals, are installed and the set screws tightened before applying power in a hazardous environment.

Caution!

The transducers must be properly wired before applying power to the meter.

Proceed to the next section to continue the initial wiring of the Model XGM868i flow transmitter.

Wiring the Transducers

Before wiring the XGM868i transducers, complete the following steps:

- disconnect the main power from the electronics enclosure
- remove the rear cover and install all required cable clamps

Based on the location of the electronics enclosure, proceed to the appropriate sub-section for detailed instructions.

*Flowcell-Mounted
Enclosure*

For an electronics enclosure mounted directly on the flowcell, wire the transducers as follows:

!WARNING!

Before connecting the transducers, take them to a safe area and discharge any static buildup by shorting the center conductor of the transducer cables to the metal shield on the cable connector.

Note: *For transducer frequencies below 2 MHz, the cable lengths given for a pair of transducers must be within 4 in. (10 cm) of each other. If the transducer frequency exceeds 2 MHz, the cable lengths must be within 0.5 in. (1.25 cm) of each other.*

*Flowcell-Mounted
Enclosure (cont.)*

1. Locate the CH1 transducer cables and connect them to the two CH1 transducers in the flowcell. Feed the free ends of the cables through the selected conduit hole in the electronics enclosure.
2. Refer to the wiring diagram in Figure 1-10 on page 1-27 and connect the transducer cables to terminal block J3. Then, secure the cable clamp.

Note: *The RED cable leads are the SIG(+) leads and the BLACK cable leads are the RTN(-) leads.*

!ATTENTION EUROPEAN CUSTOMERS!
To meet CE Mark requirements, all cables must be installed as described in Appendix A, CE Mark Compliance.

3. For a 2-Channel XGM868i, repeat steps 1-2 to connect the CH2 transducers to terminal block J4. It is not required that both channels of a 2-Channel unit be connected.
4. If wiring of the unit has been completed, reinstall the rear cover on the enclosure and tighten the set screw.

Note: *A channel must be activated before it can begin taking measurements. See Chapter 2, Initial Setup, for instructions.*

*Remote-Mounted
Enclosure*

For a remote mounted enclosure, refer to the wiring diagram in Figure 1-10 on page 1-27 and the remote transducer wiring in Figure 1-12 on page 1-29, and complete the following steps:

!WARNING!
Before connecting the transducers, take them to a safe area and discharge any static buildup by shorting the center conductor of the transducer cables to the metal shield on the cable connector.

1. Using the pair of coaxial cables with BNC to BNC connectors supplied by the factory (or equivalent cables), connect both CH1 transducers to the preamplifier.

Caution!
As part of maintaining the FM/CSA environmental rating (TYPE 4) on the remote preamplifier, thread sealant is required on all conduit entries.

*Remote-Mounted
Enclosure (cont.)*

2. If an optional lightning protector is being installed, connect it to the preamplifier as shown.
3. Using the supplied coaxial cables with BNC to flying lead connectors (or equivalent cables), route the cables through one of the conduit holes in the electronics enclosure and connect the preamplifier to terminal block J3. Secure the cable clamp.

Note: *The RED cable leads are the SIG(+) leads and the BLACK cable leads are the RTN(-) leads.*

!ATTENTION EUROPEAN CUSTOMERS!

To meet CE Mark requirements, all cables must be installed as described in Appendix A, CE Mark Compliance.

4. For a 2-Channel XGM868i, repeat steps 3-5 to connect the CH2 transducers to terminal block J4 in the electronics enclosure. It is not required that both channels of a 2-Channel unit be connected.
5. If wiring of the unit has been completed, reinstall the rear cover on the enclosure and tighten the set screw.

Note: *A channel must be activated before it can begin taking measurements. See Chapter 2, Initial Setup, for instructions.*

Proceed to the next section to continue the initial wiring of the unit.

Wiring Std 0/4-20 mA
Analog Outputs

The standard configuration of the Model XGM868i flow transmitter includes two isolated 0/4-20 mA analog outputs (designated as outputs 1 and 2). Connections to these outputs may be made with standard twisted-pair wiring, but the current loop impedance for these circuits must not exceed 600 ohms.

To wire the analog outputs, complete the following steps:

1. Disconnect the main power and remove the rear cover.
2. Install the required cable clamp in the chosen conduit hole on the side of the electronics enclosure.

Wiring Std 0/4-20 mA
Analog Outputs (cont.)

3. Refer to Figure 1-10 on page 1-27 for the location of terminal block J1 and wire the analog outputs as shown. Secure the cable clamp.

Note: *Analog outputs 1 and 2 in the wiring diagram correspond to analog outputs A and B in Slot 0 in the XGM868i software.*

!ATTENTION EUROPEAN CUSTOMERS!
To meet CE Mark requirements, all cables must be installed as described in Appendix A, *CE Mark Compliance*.

4. If wiring of the unit has been completed, reinstall the rear cover on the enclosure and tighten the set screw.

!WARNING!
Make sure both covers, with their o-ring seals, are installed and the set screws tightened before applying power in a hazardous environment.

Note: *Prior to use, the analog outputs must be set up and calibrated. See Chapter 1, Calibration, of the Service Manual for detailed instructions.*

Proceed to the next section to continue the initial wiring of the unit.

Wiring the Serial Port

The Model XGM868i flowmeter is equipped with an RS232 or an RS485 serial interface. An RS485 option is also available with MODBUS capability. When the MODBUS option is present, the XGM868i may also have the standard RS232 serial interface.

The serial port is used to transmit stored data and displayed readings to a personal computer by connecting the meter's serial interface to the serial port of the PC. In addition, the Model XGM868i can receive and execute remote commands, using the *Instrument Data Manager* or *PanaView* software via this link.

For more information on serial communications refer to your *EIA-RS Serial Communications* manual (916-054). Proceed to the appropriate sub-section for wiring instructions.

!ATTENTION EUROPEAN CUSTOMERS!
To meet CE Mark requirements, all cables must be installed as described in Appendix A, *CE Mark Compliance*.

Wiring the RS232 Interface

Use the serial port to connect the Model XGM868i flow transmitter to a printer, an ANSI terminal or a personal computer. The RS232 interface is wired as Data Terminal Equipment (DTE). Table 1-1 below lists the standard cables available from the factory for this purpose.

Table 1-1: GE Sensing Serial Cables

Part Number	PC Connector	XGM868i Connector
704-659	DB-25 Male	Flying Leads (5)
704-660	DB-9 Male	Flying Leads (5)
704-661	DB-25 Female	Flying Leads (5)
704-662	DB-9 Female	Flying Leads (5)

Each of the cables listed in the table above is available in several standard lengths. However, a user-supplied cable may be used, if preferred. In either case, wire the XGM868i end of the serial cable in accordance with the pin designations listed in Table 1-2 on the next page.

Refer to Figure 1-10 on page 1-27 to complete the following steps:

!WARNING!

**Dangerous voltages exist within the electronics enclosure.
Do not attempt to wire the unit until the main power has
been disconnected**

1. Disconnect the main power and remove the rear cover.

!WARNING!

**The XGM868i must be moved to a safe environment before
removing either cover.**

2. Install the required cable clamp in the chosen conduit hole on the side of the electronics enclosure.
3. Use the information in Table 1-2 on the next page to construct a suitable cable for connecting the Model XGM868i to the external device. If desired, an appropriate cable may be purchased from the factory.

Wiring the RS232 Interface (cont.)

Table 1-2: RS232 Connection to DCE or DTE Device

J1 Pin #	Signal Description	DCE DB25 Pin #	DCE DB9 Pin #	DTE DB25 Pin #	DTE DB9 Pin #
5	DTR (Data Terminal Ready)	20	4	20	4
6	CTS (Clear to Send)	4	7	5	8
7	COM (Ground)	7	5	7	5
8	RX (Receive)	2	3	3	2
9	TX (Transmit)	3	2	2	3

4. Feed the cable's flying leads through the conduit hole and wire it to terminal block J1. Connect the other end of the cable to the external serial device and secure the cable clamp.

After the wiring has been completed, consult the *User's Manual* for the external device to configure it for use with the XGM868i.

Wiring the RS485 Interface

Use the optional RS485 serial port to network multiple XGM868i flow transmitters to a single control system. As an option, the standard RS232 port on the XGM868i may be configured as a two-wire, half-duplex RS485 interface.

IMPORTANT: *The Model XGM868i must be configured at the factory for RS485 operation.*

To wire the RS485 serial port, refer to Figure 1-10 on page 1-27 and complete the following steps:

!WARNING!
Dangerous voltages exist within the electronics enclosure. Do not attempt to wire the unit until the main power has been disconnected

1. Disconnect the main power and remove the rear cover.

!WARNING!
The XGM868i must be moved to a safe environment before removing either cover.

*Wiring the RS485
Interface (cont.)*

2. Install the required cable clamp in the chosen conduit hole on the side of the electronics enclosure.
3. Feed one end of the cable through the conduit hole, wire it to terminal block J1 and secure the cable clamp. Use the information in Table 1-3 below to wire a suitable cable for connecting the XGM868i to the external device.

Table 1-3: RS485 Connections

J1 Pin #	Signal Description
9	Data +
8	Data -
7	Shield
6	Not Used
5	Not Used
4	Not Used

4. If wiring of the unit has been completed, reinstall the rear cover on the enclosure and tighten the set screw.

Proceed to the next section to continue the initial wiring of the unit.

Wiring the Option Cards

The Model XGM868i can accommodate one option card in Slot 1 and one option card in Slot 2. The following option card functions are available only in the combinations listed in Table B-1 on page B-1:

- Alarm Relays (Slot 1)
- Analog Inputs (Slot 1)
- Totalizer/Frequency Outputs (Slot 1)
- RTD Inputs (Slot 1)
- Analog Outputs (Slot 1)
- MODBUS Communications (Slot 2)
- MODBUS/TCP Communications (Slot 2)
- Ethernet (Slot 2)
- Foundation Fieldbus (Slot 2)
- Data Logging (Slot 2) - *no wiring required*

Wiring any option card installed in Slot 1 requires completion of the following general steps:

Preparing for Wiring

1. Disconnect the main power and remove the rear cover.
2. Install a cable clamp in the chosen conduit hole on the side of the electronics enclosure and feed a standard twisted-pair cable through this conduit hole.
3. Locate the 12-pin terminal block (J2) in Figure 1-10 on page 1-27 and wire the option card as indicated on the label inside the rear cover (see Figure 1-3 on page 1-7 and Figure 1-11 on page 1-28). Secure the cable clamp.

IMPORTANT: *Because of the attached wiring label, all rear covers must remain with their original meters.*

!ATTENTION EUROPEAN CUSTOMERS!

To meet CE Mark requirements, all cables must be installed as described in Appendix A, CE Mark Compliance.

4. If wiring of the unit has been completed, reinstall the rear cover on the enclosure and tighten the set screw.

Note: *Prior to use, the option card must be set up and calibrated. See Chapter 1, Programming Site Data, in the Programming Manual and Chapter 1, Calibration, in the Service Manual for detailed instructions.*

For more specific instructions on particular option cards, proceed to the appropriate section(s) that follow.

Wiring an Alarms Option Card

Each alarms option card includes two or four general-purpose *Form C* relays (designated as A, B, C and D).

The maximum electrical ratings for the relays are listed in Chapter 4, *Specifications*. Each of the alarm relays can be wired as either *Normally Open (NO)* or *Normally Closed (NC)*.

In setting up an alarm relay, it may be wired for either *conventional* or *fail-safe* operation. In fail-safe mode, the alarm relay is constantly energized, except when it is triggered or a power failure or other interruption occurs. See Figure 1-4 below for the operation of a NO alarm relay in both conventional and fail-safe mode.

Before making any connections, complete the steps in *Preparing for Wiring* on the previous page. Connect each alarm relay in accordance with the wiring instructions shown on the label inside the rear cover (see Figure 1-3 on page 1-7 and Figure 1-11 on page 1-28).

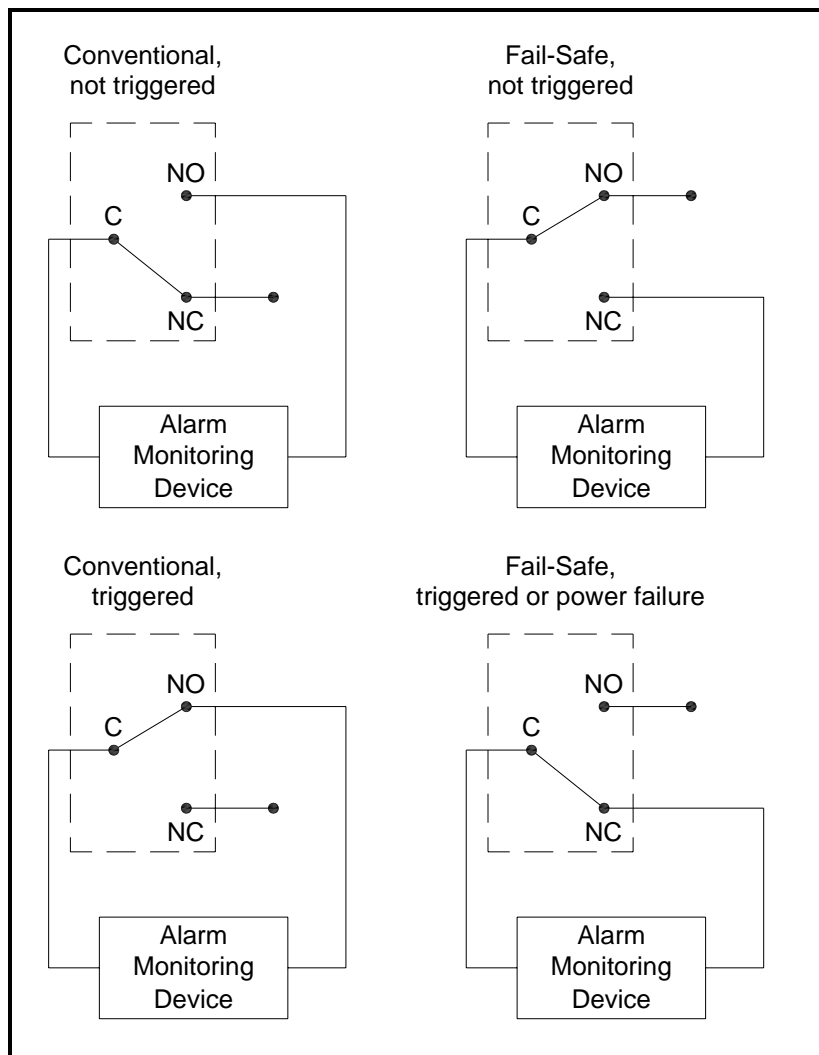


Figure 1-4: Conventional and Fail-Safe Operation

*Wiring a 0/4-20 mA
Analog Inputs Option Card*

To calculate the standard flow rates, the Model XGM868i requires accurate *temperature* and *pressure data* from the measurement site. Transmitters installed in the flowcell can provide this information via an optional 0/4-20 mA analog inputs option card. This option card includes two or four isolated 0/4-20 mA analog inputs (designated as A, B, C and D), each of which includes a 24 VDC power supply for loop-powered transmitters. Either input may be used to process the temperature signal, while the other input is used to process the pressure signal.

Note: *To properly enter programming data into the meter, it is necessary to know which input is assigned to which process parameter. This information should be entered in Appendix B, Data Records.*

The analog inputs, which have an impedance of 118 ohms, should be connected with standard twisted-pair wiring. Power to the transmitters may be supplied either by the integral 24 VDC power supply on the analog input option card or by an external power supply. Figure 1-5 below shows typical wiring diagrams, with and without an external power supply, for one of the analog inputs.

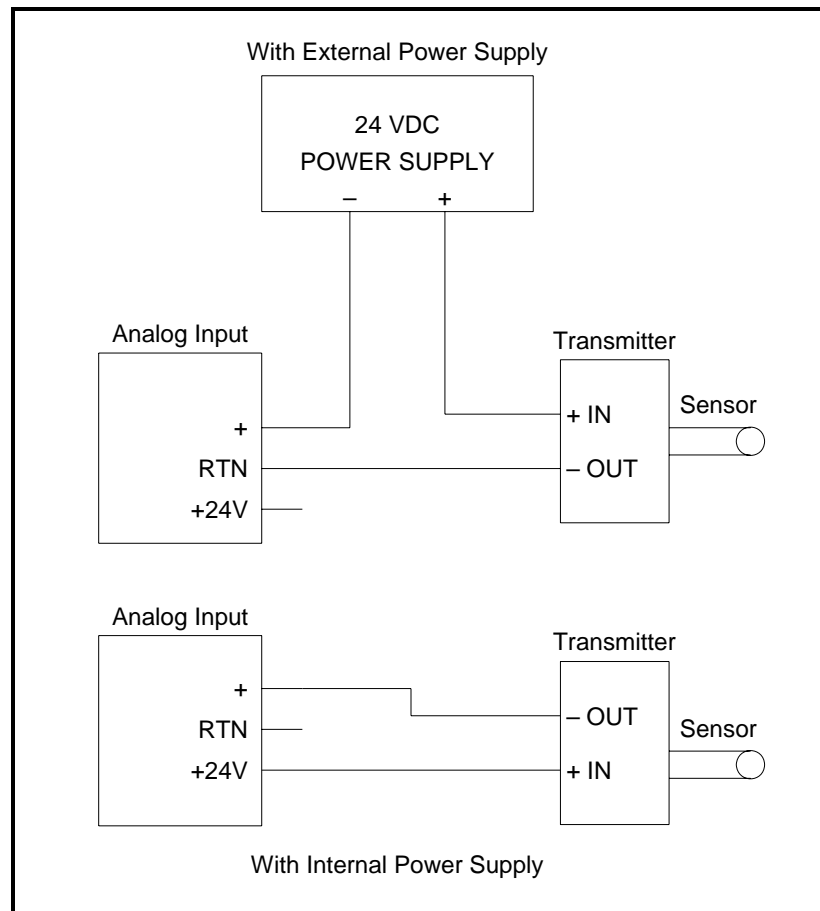


Figure 1-5: Analog Input Wiring Diagram

Wiring a 0/4-20 mA Analog Inputs Option Card (cont.)

Before making any connections, complete the steps in *Preparing for Wiring* on page 1-16. Wire the analog inputs as shown on the label in the rear cover (see Figure 1-11 on page 1-28).

Note: *The analog inputs option card can be calibrated with the Model XGM868i's built-in analog outputs. However, be certain that the analog outputs have been calibrated first. See Chapter 1, Calibration, in the Service Manual for the appropriate procedures.*

Wiring a Totalizer/Frequency Outputs Option Card

Each totalizer/frequency outputs option card provides two or four outputs (designated as A, B, C, and D) that can be used as either totalizer or frequency outputs.

Before making any connections, complete the steps in *Preparing for Wiring* on page 1-16. Then, wire this option card in accordance with the connections shown on the label in the rear cover (see Figure 1-3 on page 1-7 and Figure 1-11 on page 1-28). Figure 1-6 below shows sample wiring diagrams of a totalizer output circuit and a frequency output circuit. Refer to *Electrical Specifications* on page 4-2 for load and voltage requirements.

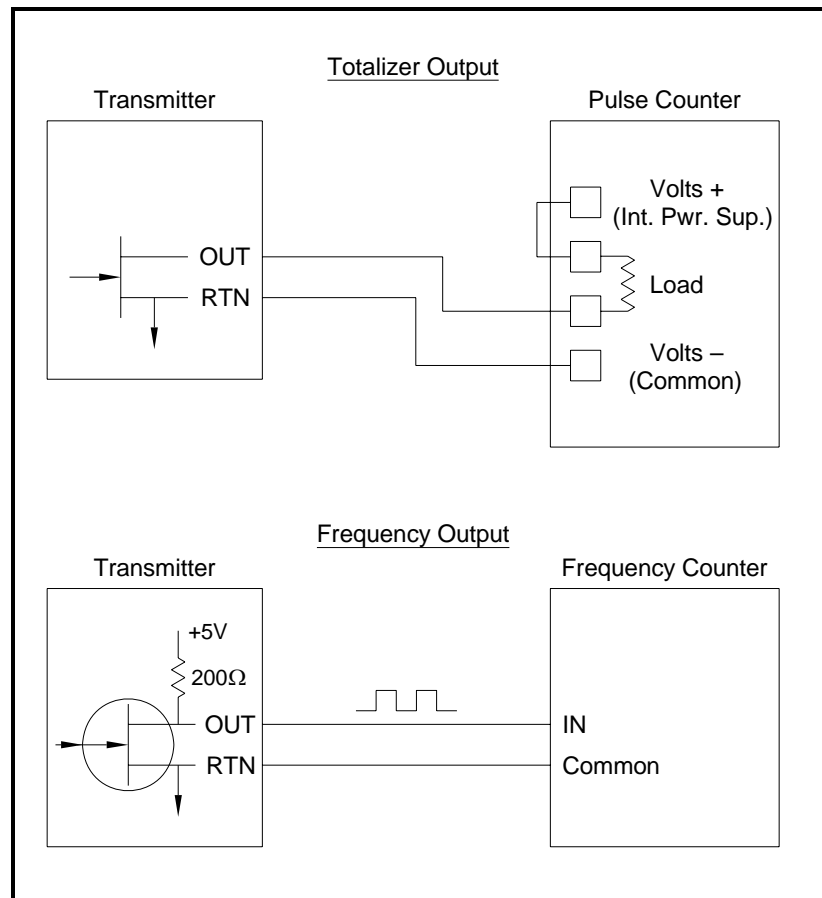


Figure 1-6: Totalizer/Frequency Outputs Wiring

Wiring an RTD Inputs Option Card

The Model XGM868i RTD (Resistance Temperature Device) inputs option card provides two or four direct RTD inputs (designated as A, B, C and D). Each RTD input requires three wires, and should be connected as shown on the label in the rear cover (see Figure 1-3 on page 1-7 and Figure 1-11 on page 1-28).

Note: *Before making any connections, complete the steps in Preparing for Wiring on page 1-16.*

Wiring a 0/4-20 mA Analog Outputs Option Card

The analog outputs option card includes two isolated 0/4-20 mA outputs (designated as A and B). Connections to these outputs may be made with standard twisted-pair wiring, but the total current loop impedance for these circuits must not exceed 1,000 ohms.

Before making any connections, complete the steps in *Preparing for Wiring* on page 1-16. Then, wire this option card with the connections shown on the label in the rear cover (see Figure 1-3 on page 1-7 and Figure 1-11 on page 1-28).

A Specific Example

To illustrate the procedures described in the previous sections for wiring the option cards, a specific example may prove helpful. Assume that a Model XGM868i is equipped with an option card numbered 703-1223-08. Table B-1 on page B-1 in Appendix B, *Data Records*, indicates that this option card includes two analog current inputs and two standard alarm relays.

By referring to Figure 1-11 on page 1-28, it is determined that the appropriate connection diagram for this option card is the second one from the left in the middle row (A1,H1). This label should also be found inside the rear cover of the XGM868i. Based on this information, wiring of the Input/Output connections to terminal block J2 should be completed as shown in Table 1-4 on the following page.

*A Specific Example (cont.)***Table 1-4: Wiring a 703-1223-08 Option Card**

J2 Pin #	Description	Connection
1	Alarm A	Normally Open
2	Alarm A	Common
3	Alarm A	Normally Closed
4	Alarm B	Normally Open
5	Alarm B	Common
6	Alarm B	Normally Closed
7	Out C	+24 V to Input C
8	Input C	Signal (+)
9	Input C	Return (-)
10	Out D	+24 V to Input D
11	Input D	Signal (+)
12	Input D	Return (-)

Wiring the MODBUS Option Card

The MODBUS option card uses the RS485 standard for MODBUS communication. The MODBUS card must be installed in Slot 2. The RS485 standard allows up to 32 nodes (drivers and receivers) on one multidrop network, at distances up to 4,000 ft (1,200 m). GE Sensing recommends using 24-gauge (24 AWG) twisted-pair wire with a characteristic impedance of 120 ohms and 120-ohm termination at each end of the communications line.

Note: *The MODBUS option card provides its own RS485 connections. Thus, the meter can have its serial port configured as RS232 and still provide RS485 MODBUS signals.*

IMPORTANT: *Because the MODBUS option card uses pins 1 and 2 on terminal block J2, only those option cards that do not use these pins may be installed in Slot 1, while a MODBUS card is installed in Slot 2. Specifically, only the option cards designated as “OI” and “OR” in Figure 1-11 on page 1-28 are compatible with the MODBUS option card.*

To link the XGM868i to the control system (refer to Figure 1-7 on page 1-22):

1. Connect the TMT- wire to pin #2, the inverting or negative connection.
2. Connect the TMT+ wire to pin #1, the non-inverting or positive connection.
3. If desired, the pin #3 can be used for an optional shield.

*Wiring the MODBUS
Option Card (cont.)*

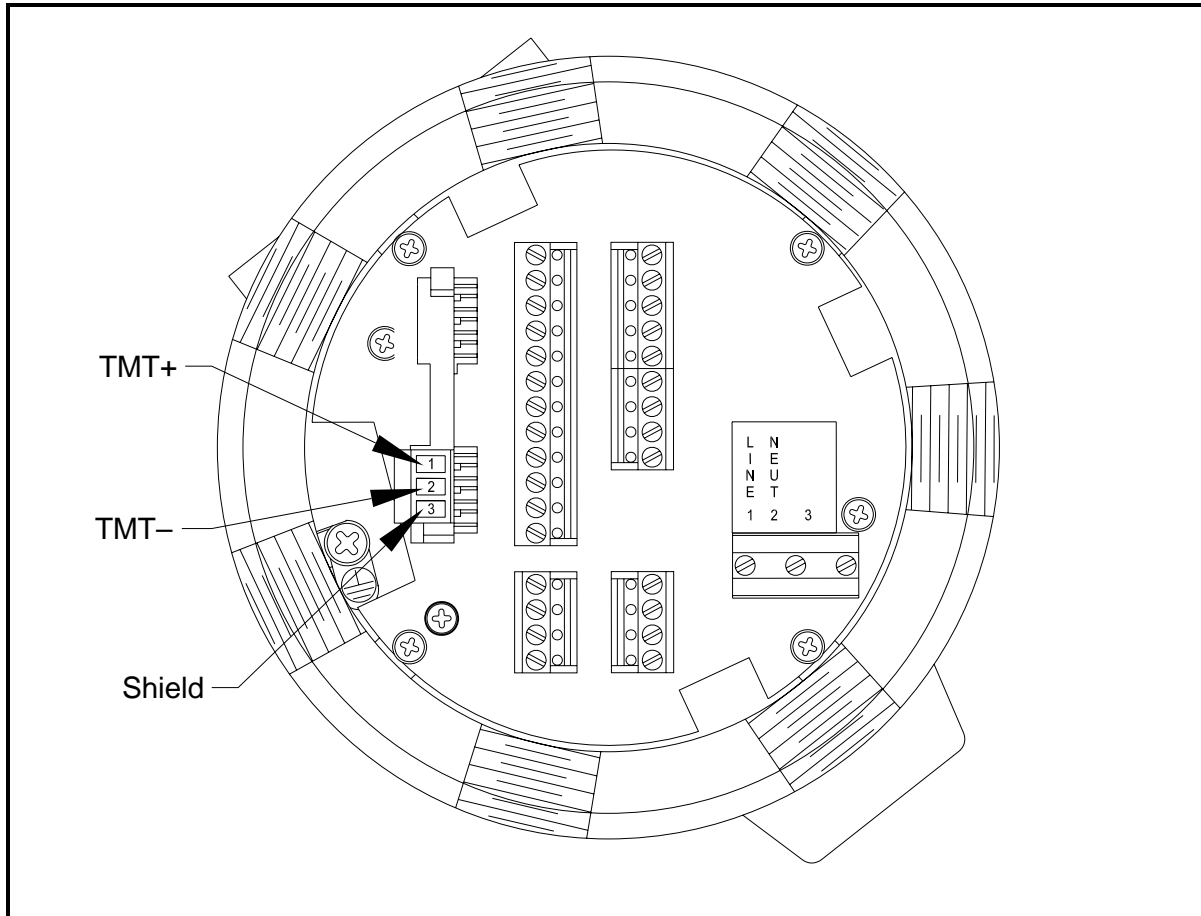


Figure 1-7: The RS485 MODBUS Terminal Block Connector

Wiring the MODBUS/TCP Interface

Customers can also use a modified XGM868i that provides a MODBUS/TCP interface to communicate to an internal network. An optional MODBUS/TCP card with a unique MAC (IP) address (installed only in slot 2) includes an RJ45 connector. To connect the MODBUS/TCP-enabled XGM868i to the network, insert the jack of an RJ45 cable into the RJ45 connector, route the cable through one of the conduit holes using an appropriate cable clamp, and wire the other end of the cable to the Ethernet network according to the manufacturer's instructions. See Figure 1-13 on page 1-30.

Note: *The MAC address for a specific XGM868i is included with customer documentation. For more information on setting up the MAC address, refer to Chapter 6 of the Programming Manual.*

Wiring the Ethernet Interface

A modified XGM868i can use the Ethernet interface to communicate to a local area network. An optional Ethernet card with a unique MAC (IP) address (installed only in slot 2) includes an RJ45 connector. To connect the Ethernet-enabled XGM868i to the network, insert the jack of an RJ45 cable into the RJ45 connector, route the cable through one of the conduit holes using an appropriate cable clamp, and wire the other end of the cable to the Ethernet network according to the manufacturer's instructions. An external connection is required between the Ethernet option card and the XGM868i's RS232 connector, as shown in Table 1-5 below and Figure 1-13 on page 1-30.

Note: *The MAC address for a specific XGM868i is included with customer documentation. For more information on setting up the MAC address, refer to Appendix C of the Programming Manual.*

Table 1-5: RS232 to Ethernet Interconnections

XGM868i Type	Terminal Block	Terminal Block
Terminal	RS232 on Rear Board	TB1 on Ethernet Card
	TX	Pin 1
	RX	Pin 2
	COM	Pin 3

*Wiring the Foundation
Fieldbus Interface*

To connect the Foundation Fieldbus interface to the XGM868i, make the network connections at J8, pins 1 and 2, as shown in drawing Y of Figure 1-13 on page 1-30. As an option, you can connect a shield to J8 pin 3, depending on the network wiring.

No connections are made to J9 under normal operation. If you need to reset the network board to factory defaults:

1. Connect a jumper between J9 pin 2 and J9 pin 3.
2. Power cycle (i.e., turn off and on) the XGM868i.
3. Ten seconds after the power has been restored to the XGM868i, remove the jumper to return the network board to normal operation.

Data Logging Option Card

The Model XGM868i can be fitted with a data logging option card, which must be installed in Slot 2. The data logging option card increases the XGM868i's memory by up to 2 MB.

Note: *The data logging menu option is not available unless this card is installed.*

After the Model XGM868i has been completely installed and wired, proceed to Chapter 2, *Initial Setup*, to program the meter for taking flow rate measurements.

!WARNING!

Make sure both covers, with their o-ring seals, are installed and the set screws tightened before applying power in a hazardous environment.

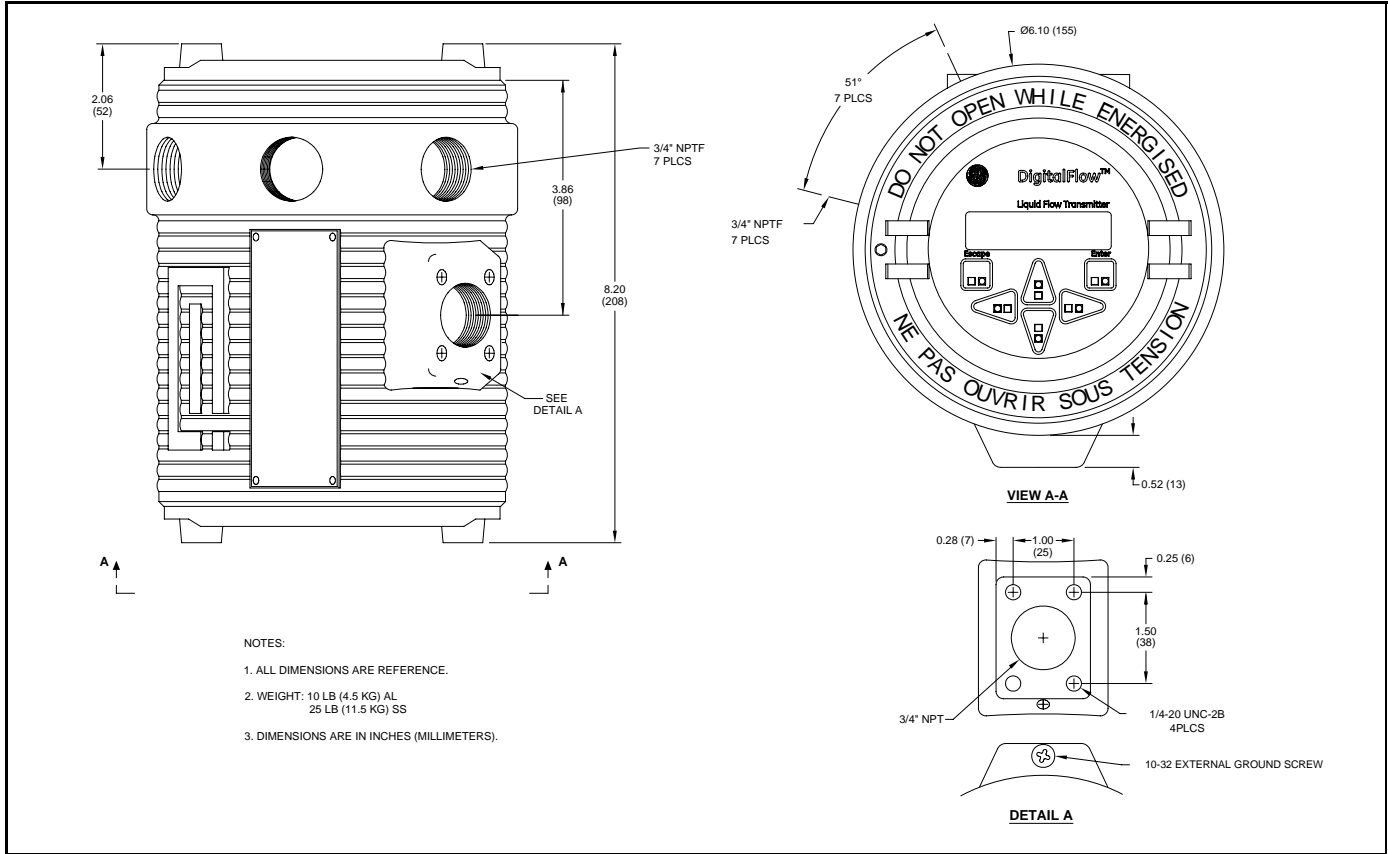


Figure 1-8: Model XGM868I Outline and Installation (ref. dwg #712-1318)

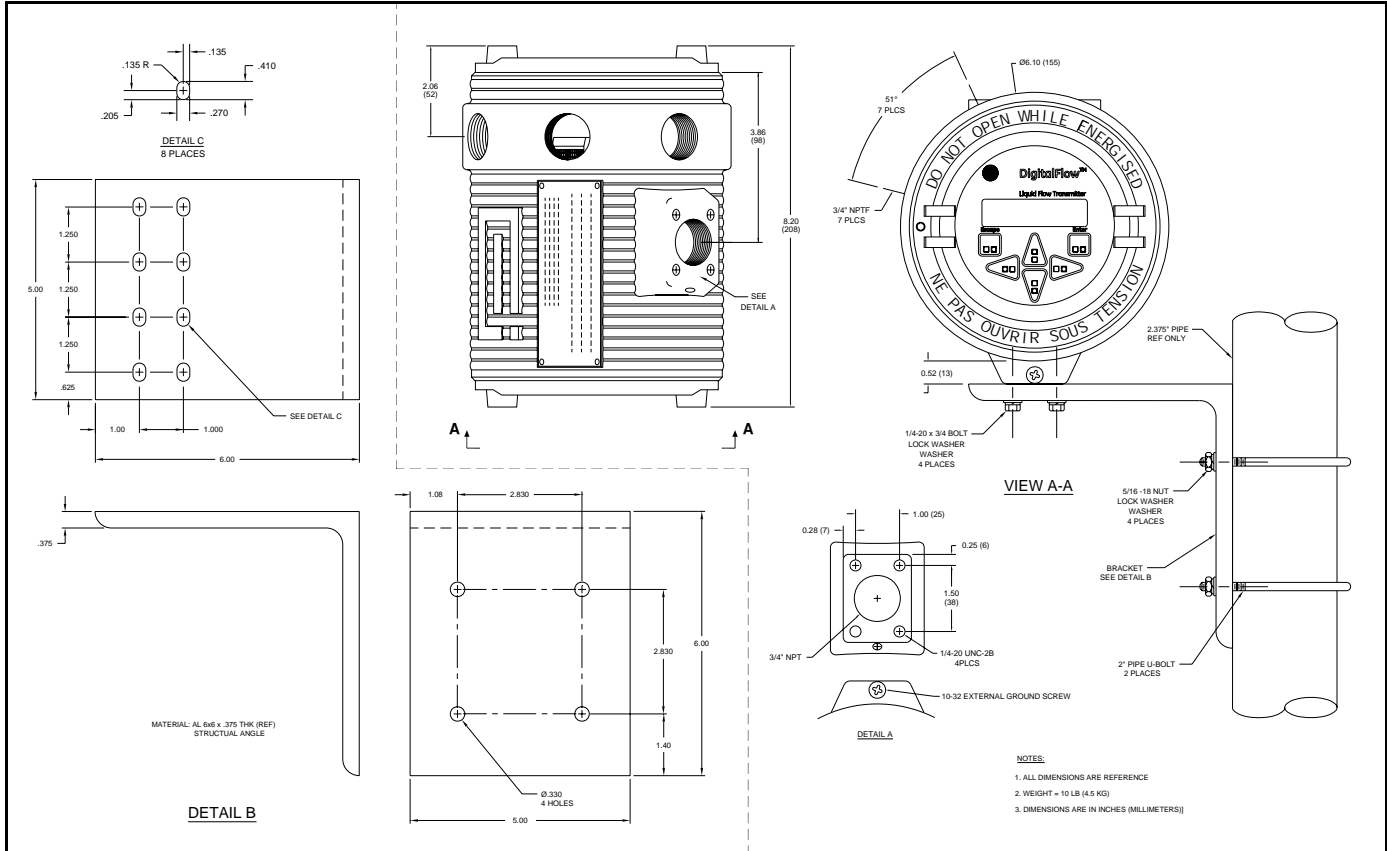


Figure 1-9: Model XGM868: Outline and Installation - Right Angle Mounting Bracket (ref. dwg #712-1317)

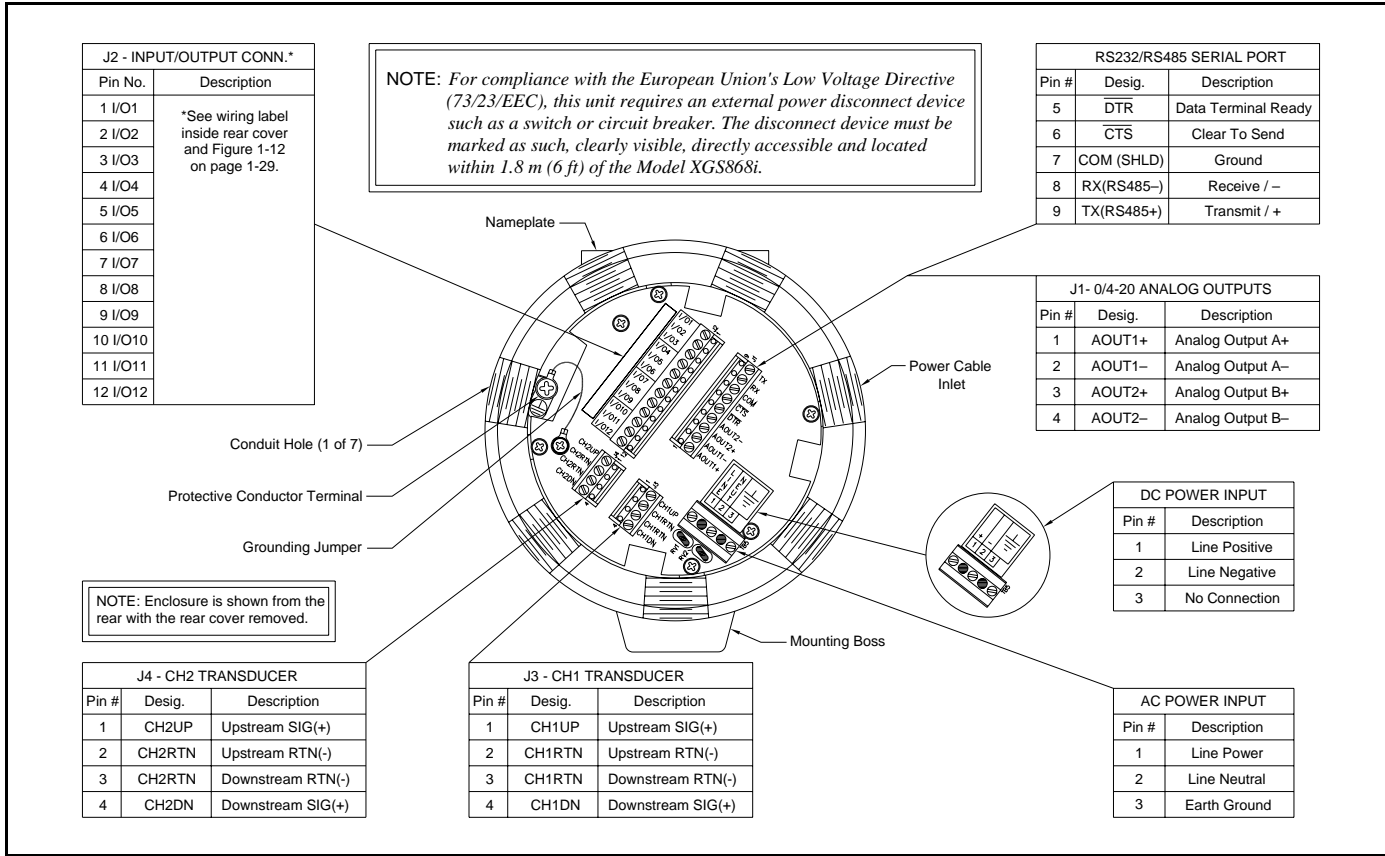


Figure 1-10: Model XGM868i Wiring Diagram

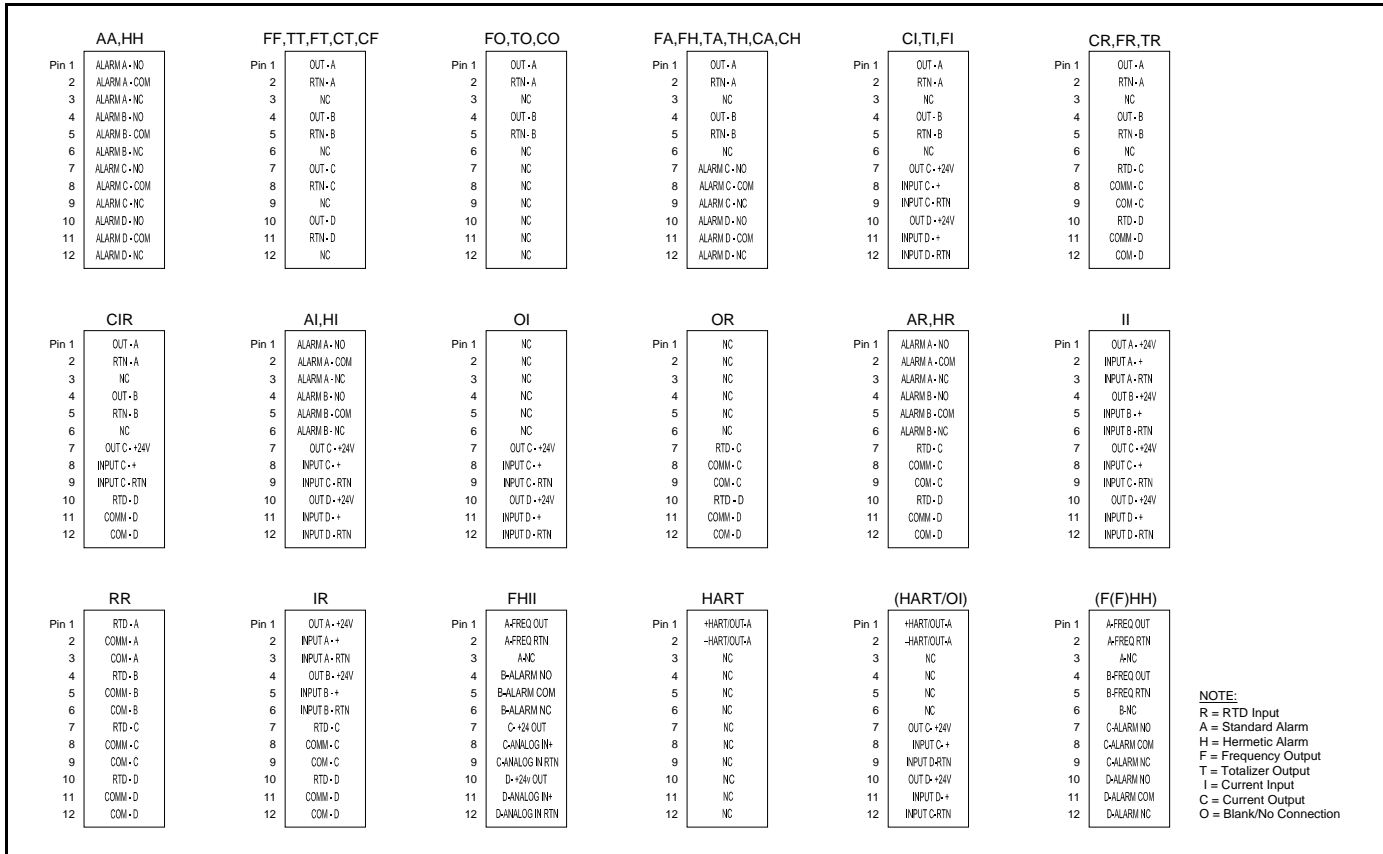


Figure 1-11: Option Card Connection Labels (ref. dwg #442-615)

NOTE:
 R = RTD Input
 A = Standard Alarm
 H = Hermetic Alarm
 F = Frequency Output
 T = Totalizer Output
 I = Current Input
 C = Current Output
 O = Blank/No Connection

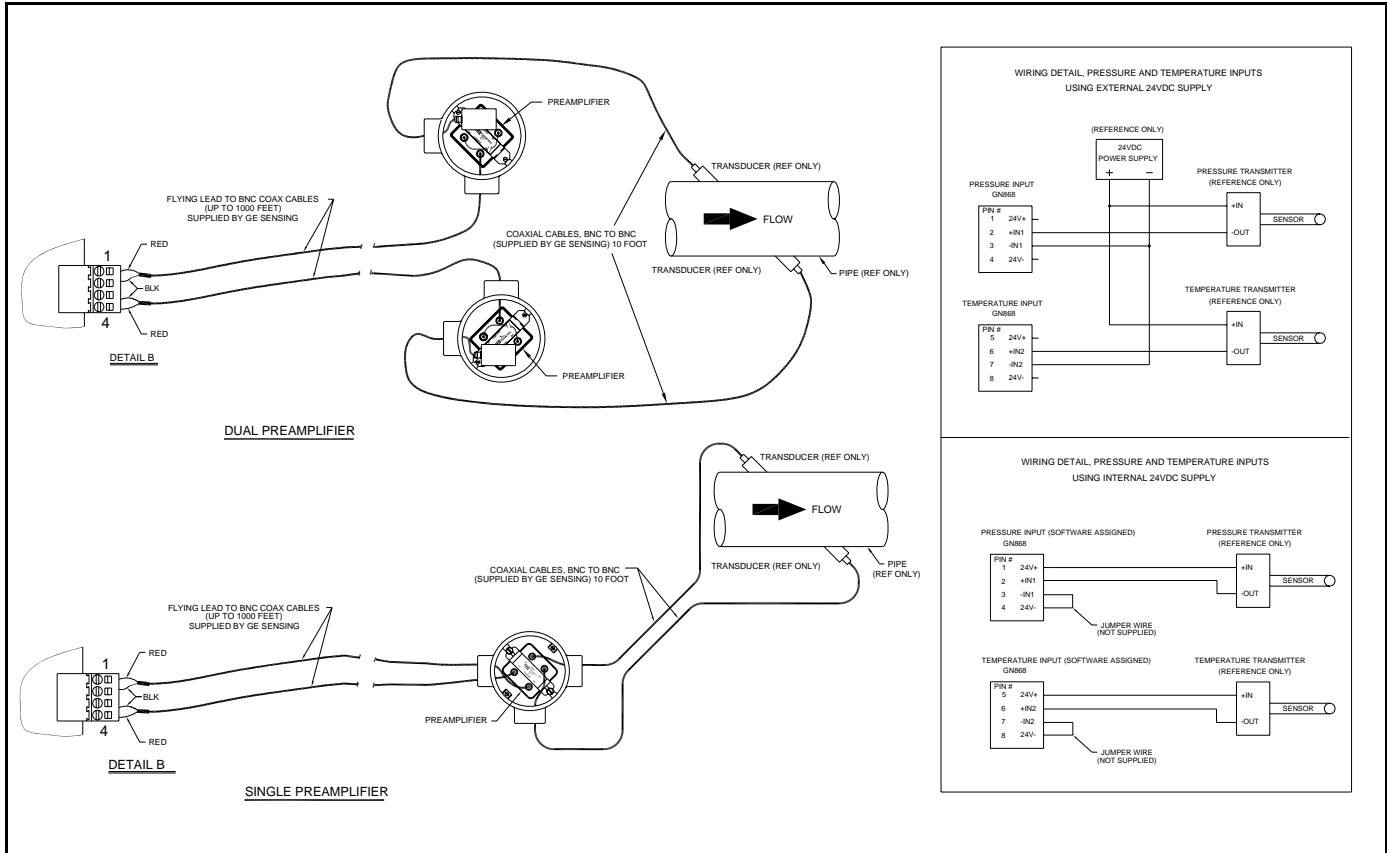


Figure 1-12: Transducer Wiring Diagram (ref. dwg #702-213)

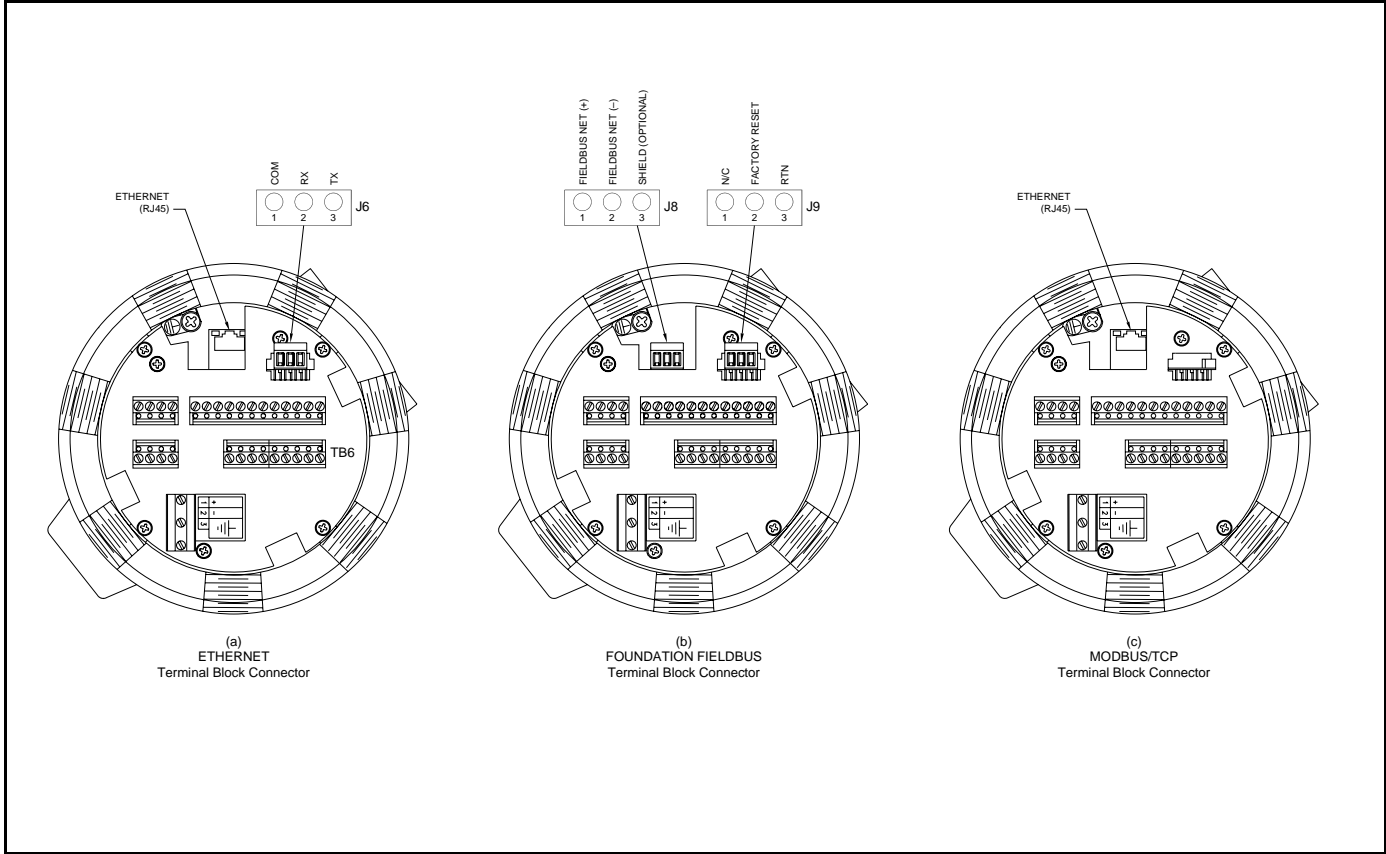


Figure 1-13: Ethernet, Foundation Fieldbus and MODBUS/TCP Terminal Block Connections

Chapter 2

Initial Setup

- Introduction..... 2-1
- Programming Methods..... 2-1
- The XGM868i Enclosure Infrared Keypad 2-2
- Entering Data in the Global Menu 2-4
- Activating a Channel..... 2-7
- Entering System Data for the Channel 2-8
- Entering Transducer and Pipe Parameters 2-10

Introduction

This chapter provides instructions for programming the minimum amount of data required to place the Model XGM868i flowmeter into operation. Before the Model XGM868i can begin taking measurements and displaying valid data, the current system and pipe parameters must be entered. In addition, a 2-Channel meter requires that each channel be activated prior to use. Additional programming options provide access to the more advanced features of the Model XGM868i, but this information is not required to begin taking measurements.

Refer to the *Programming Manual* for information on programming all other features. Be sure to record all programming data in Appendix B, *Data Records*.

As a guide in following the programming instructions in this chapter, the relevant portions of the Model XGM868i menu map have been reproduced in Figure 2-2 on page 2-13.

Programming Methods

Note: *See the Programming Manual for information on those User Program features not covered in this chapter.*

You can program the XGM868i via either the infrared keypad on the lower part of the glass enclosure, or **PanaView™**, a PC-based, non-resident software program that communicates with the XGM868i via its RS232 serial port. PanaView supplements basic XGM868i functions with several additional capabilities. With PanaView, you can:

- load and save site file data
- create and save graph and log files
- display text output and graphs of live measurement data
- create custom templates for displaying text, graph and log data
- interface with multiple GE Sensing instruments.

This chapter focuses on programming via the infrared keypad. For information on programming the XGM868i via PanaView, refer to Appendix C of the *Programming Manual*.

The XGM868i Enclosure Infrared Keypad

The window at the top of the XGM868i enclosure includes the components shown in Figure 2-1 below.

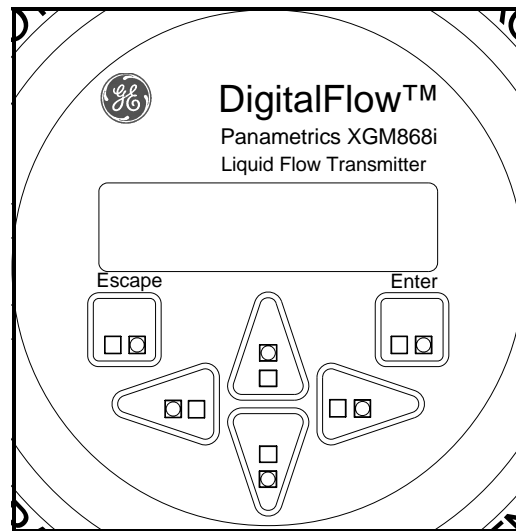


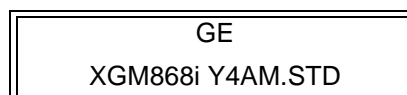
Figure 2-1: Enclosure Window

IMPORTANT: *The XGM868i's infrared keypad enables programming of the instrument through the glass faceplate without removing the cover. Thus, all programming procedures may be performed while the unit is installed in a hazardous area.*

Six keys on the infrared keypad enable users to program the XGM868i:

- [Enter] - confirms choice of a specific option and data entry within the option
- [Escape] - allows users to exit from a specific option without entering unconfirmed data
- [Δ] and [∇] - enable users to view a specific measurement in the Key display setting (see page 3-5) or to scroll through a list of options (letters and numbers 0-9 as well as the negative sign and decimal point) in a menu
- [\triangleleft] and [\triangleright] - enable users to scroll to a specific option, among choices in an option, or to a character in a text entry.

When you power up the XGM868i, the display first shows the model and software version:



The XGM868i Enclosure Infrared Keypad (cont.)

The meter then starts to display measured parameters.

CH1	VEL	E1
10.00		Ft/s

To enter the *Keypad Program*, press the [Escape] key, followed by the [Enter] key, and the [Escape] key again. Each successive key must be entered within 10 seconds of the prior key.

As a guide in following the programming instructions in this chapter, the relevant portions of the Model XGM868i menu map have been reproduced in Figure 2-2 on page 2-13. Proceed to the following sections to enter data in the Channel or GLOBL menus.

IMPORTANT: *If the keypad has not been pressed for 10 minutes, the XGM868i exits the Keypad Program and returns to displaying measurements. The meter retains any configuration changes that were confirmed with the [Enter] key, and restarts as if the operator had completed the programming cycle.*

Entering Data in the Global Menu

To begin programming your meter, you must select the system units from the GLOBL menu as discussed below. Refer to Figure 2-2 on page 2-13 and remember to record all programming data in Appendix B, *Data Records*.

Note: Refer to the Programming Manual for information on the other submenus in the GLOBL menu.

Entering Global System Data

The GLOBL-SYSTM submenu is used to enter several general system parameters (e.g., English or metric units). For units with 2 channels, this menu is also used to compute parameters such as the sum, difference or average of the channel 1 and channel 2 signals. When calculating the SUM, DIF or AVE readouts, data from the GLOBL-SYSTM submenu is used. Any conflicting data entered in the CHANNEL-SYSTM submenu is overridden.

1. In the *Keypad Program*, scroll to PROG and press [Enter].
2. In the PROG menu, scroll to GLOBL and press [Enter].
3. In the Global PROGRAM menu, scroll to SYSTM and press [Enter].
4. Scroll to the desired *System Units* selection (either metric or English) and press [Enter]. The XGM868i will display all parameters and measurements in the designated units.
5. Scroll to the desired *Pressure Units* selection (absolute or gauge) and press [Enter].
6. Do one of the following:
 - If PSIA (absolute) was selected, proceed to Step 7.
 - If PSIG (gauge) was selected, enter the desired atmospheric pressure, press [Enter] and proceed to Step 7.
7. Do one of the following:
 - For a single-channel XGM868i, the program returns to the Global PROGRAM menu.
 - For a 2-channel meter, proceed to Step 8 on the next page.

- Selecting Volumetric Units*
1. Scroll to the desired *Volumetric Units* for the flow rate display and press [Enter]. Table 2-1 below lists the available volumetric units.

Table 2-1: Available Volumetric/Totalizer Units

English	Metric
ACF = Actual Cubic Feet	ACM = Actual Cubic Meters
KACF = Thousands of ACF	KACM = Thousands of ACM
MMACF = Millions of ACF	MMACM = Millions of ACM
SCF = Standard Cubic Feet	SCM = Standard Cubic Meters
KSCF = Thousands of SCF	KSCM = Thousands of SCM
MMSCF = Millions of SCF	MMSCM = Millions of SCM

2. Scroll to the desired unit of *Volumetric Time* (from seconds to days), and press [Enter].
3. Scroll to the desired number of *Vol Decimal Digits* (digits to the right of the decimal point) in the volumetric flow display, and press [Enter].

Selecting Totalizer Units

4. Scroll to the desired *Totalizer Units* for the flow rate display and press [Enter]. Available units are listed in Table 2-1 above.
5. Scroll to the desired number of *Tot Decimal Digits* (digits to the right of the decimal point in the totalized flow rate display) and press [Enter].
6. Do one of the following:
 - If MASS FLOW is ON, proceed to *Selecting Mass Flow Units* on the next page.
 - If MASS FLOW is OFF, the meter returns to the Global PROGRAM window. Press [Escape] twice and proceed to Chapter 3, *Operation*, or the *Programming Manual*.

Note: *To activate mass flow, refer to page 1-19 of the Programming Manual. The following prompts appear only if mass flow is activated for both channels.*

Selecting Mass Flow Units

1. Scroll to the desired *Mass Flow* units for the flow rate display and press [Enter]. The available units for this prompt are determined by the selection made at the *System Units* screen. See Table 2-2 below.

Table 2-2: Available Mass Flow Units

English	Metric
LB = Pounds	Kilograms
KLB = Thousands of LB	Metric Tons (1000 KG)
MMLB = Millions of LB	
Tons (2000 LB)	

2. Scroll to the desired *Mass Flow Time* units for the mass flow rate display (from seconds to days) and press [Enter].
3. Scroll to the desired number of *Mdot Dec. Digits* (digits to the right of the decimal point in the mass flow rate display) and press [Enter].
4. Scroll to the desired *Mass (Totalizer)* units for the totalized mass flow rate display and press [Enter]. The available units for this prompt are determined by the selection made at the *System Units* prompt.
5. Scroll to the desired number of *Mass Dec. Digits* (digits to the right of the decimal point in the totalized mass flow rate display) and press [Enter].
6. After completing the above steps, the XGM868i returns to the Global PROGRAM window. Press [Escape] and scroll to CH1 or CH2 to continue setup programming.

Activating a Channel

The Channelx-ACTIV submenu permits selection of the desired measurement method. In addition, it is used to activate/deactivate one or both of the channels in a 2-Channel Model XGM868i.

To access the Channelx-ACTIV submenu:

1. From the *Keypad Program*, scroll to CH1 or CH2 and press [Enter].
2. In the Channel PROGRAM menu, scroll to ACTIV and press [Enter].
3. Scroll to *Burst* to activate the channel/path, and press [Enter].

Note: *Burst is automatically selected for a 1-Channel meter.*

4. Scroll to one of the measurement methods described below and press [Enter].
 - *Skon Only* is the preferred technique for locating the acoustic signal and for high velocity measurements. It is more robust in a noisy environment than the *Measure* technique.
 - *Skon/Measure* is the preferred technique to use for low velocity measurements.

If *Skon Only* is selected at the above prompt, the meter uses this technique exclusively. However, if *Skon/Measure* is selected, the meter uses *Skon Only* to find the acoustic signal and then tries to use the *Skon/Measure* technique for the actual measurement.

After completing the above step, the meter returns to the Channel PROGRAM window. Proceed to the next section to continue programming your meter.

Entering System Data for the Channel

The Channelx-System submenu is used to enter system parameters for the channel.

Accessing the Channelx-System Submenu

1. From the Channel PROGRAM menu, scroll to SYSTM and press [Enter].
2. The first prompt asks for the *Channel Label*. Use the four scrolling keys to enter the desired label (in any numeric or text combination up to five characters), and press [Enter].
3. The next prompt asks for the *Channel (Site) Message*. Enter the desired text in the same manner as the channel label with up to 15 characters, and press [Enter].

Selecting Volumetric Units

1. Scroll to the desired *Volumetric Units* for the flow rate display and press [Enter]. Available units are listed in Table 2-3 below.
2. Scroll to the desired *Volumetric Time* units for the flow rate display (from seconds to days) and press [Enter].
3. Scroll to the desired number of *Vol Decimal Digits* (digits to the right of the decimal point in the volumetric flow rate display) and press [Enter].

Table 2-3: Available Volumetric/Totalizer Units

English	Metric
ACF = Actual Cubic Feet	ACM = Actual Cubic Meters
KACF = Thousands of ACF	KACM = Thousands of ACM
MMACF = Millions of ACF	MMACM = Millions of ACM
SCF = Standard Cubic Feet	SCM = Standard Cubic Meters
KSCF = Thousands of SCF	KSCM = Thousands of SCM
MMSCF = Millions of SCF	MMSCM = Millions of SCM

Selecting Totalizer Units

1. Scroll to the desired *Totalizer Units* for the totalized flow rate display and press [Enter]. Available units are listed in Table 2-3 above.
2. Scroll to the desired number of *Tot Decimal Digits* (digits to the right of the decimal point in the totalized flow rate display) and press [Enter].
3. Do one of the following:
 - If MASS FLOW is ON, proceed to *Selecting Mass Flow Units* on page 2-9.
 - If MASS FLOW is OFF, the meter returns to the Channel PROGRAM window. Proceed to *Entering Transducer and Pipe Parameters* on page 2-10.

Note: To activate mass flow, refer to page 1-19 in the Programming Manual.

- Selecting Mass Flow Units*
1. Scroll to the desired *Mass Flow* units for the flow rate display and press [Enter]. The available units for this prompt are determined by the selection made at the *System Units* prompt. See Table 2-4 below.

Table 2-4: Available Mass Flow Units

English	Metric
LB = Pounds	Kilograms
KLB = Thousands of LB	Metric Tons (1000 KG)
MMLB = Millions of LB	
Tons (2000 LB)	

2. Scroll to the desired *Mass Flow Time* units for the mass flow rate display and press [Enter].
3. Scroll to the desired number of *Mdot Decimal Digits* (digits to the right of the decimal point in the mass flow rate display) and press [Enter].
4. Scroll to the desired *Mass (Totalizer)* units for the totalized mass flow rate display and press [Enter]. The available units for this prompt are determined by the selection made at the *System Units* prompt.
5. Scroll to the desired number of *Mass Dec. Digits* (digits to the right of the decimal point in the totalized mass flow rate display) and press [Enter].

After completing the above steps, the XGM868i returns to the Channel PROGRAM window. Proceed to the next section to program transducer and pipe parameters.

Entering Transducer and Pipe Parameters

Enter the transducer and pipe parameters via the PIPE submenu.

1. From the Channel PROGRAM menu, scroll to the PIPE option and press [Enter].
2. The first prompt asks for the *Transducer Number*.
 - For a standard transducer, use the arrow keys to enter the number engraved on the transducer head, and press [Enter].
 - If there is no number engraved on the transducer head, press the right arrow key to scroll to the *STD* option, and use the up and down arrow keys to change to *SPEC*. Then use the arrow keys to enter an assigned number (from 91 to 99), and press [Enter].

IMPORTANT: *Special transducers, which have no engraved number on the head, are rarely used. Examine the transducer head carefully for a number.*

- If you entered the number for a standard transducer, proceed to the *Pipe OD* prompt in step 5.
- If you entered the number for a special transducer, proceed to step 3 below.

Special Transducers

3. Scroll to the transducer *Frequency* (supplied by the factory) and press [Enter].

Note: *The frequency is required to transmit an excitation voltage at the transducer's natural frequency.*

4. Enter the special transducer *Tw* (time delay) value (supplied by the factory) and press [Enter].

Tw is the time required for the transducer signal to travel through the transducer and its cable. This time delay must be subtracted from the transit times of the upstream and downstream transducers to ensure an accurate measurement.

Pipe Data

If either a standard or a special transducer is being used, the programming sequence should be rejoined at this point.

5. To select the appropriate *Pipe OD Unit* type from the list shown in Table 2-5 below, scroll to the right side of the screen, and use the up and down arrow keys to step through the list. Press [Enter]. Then use the arrow keys to enter the known pipe outside diameter or circumference on the left side and press [Enter].

Obtain the required information by measuring either the pipe outside diameter (OD) or circumference at the transducer installation site. The data may also be obtained from standard pipe size tables found in *Sound Speeds and Pipe Size Data* (914-004).

Table 2-5: Available Pipe OD Units

English	Metric
inch	mm = millimeters
feet	m = meters
in/PI = pipe circumference in inches	mm/PI = pipe circumference in millimeters
ft/P I= pipe circumference in feet	m/PI = pipe circumference in meters

6. Use the arrow keys to enter the known *Pipe Wall Thickness* (in inches or mm) and press [Enter]. If the pipe wall thickness is not available, look up the value in a table of standard pipe size data which can be found in the *Sound Speeds and Pipe Size Data* manual (914-004).

Path and Axial Lengths

7. To enter the *Path Length*:
 - a. Use the [▷] arrow key to highlight the path length unit type at the right of the screen. Then use the [△] and [▽] arrow keys to scroll to the desired unit type.
 - b. Use the [◀] arrow key to return to the numeric entry on the left, and enter the path length of the ultrasonic signal. Press [Enter].

Note: *If a spoolpiece was ordered with the meter, the transducer signal path length (P) and the transducer signal axial length (L) are engraved on the flowcell and/or are included in the documentation supplied with the meter. For on-site transducer installations, refer to Appendix C, Measuring P and L Dimensions.*

*Path and Axial Lengths
(cont.)*

8. In the same manner, enter the appropriate *Axial Length L* unit type and axial length of the ultrasonic signal, and press [Enter].
9. Scroll to the desired *Fluid Type* and press [Enter]. Then do one of the following:
 - If OTHER was selected - proceed to Step 10.
 - If AIR was selected - proceed to Step 11.
10. Use the arrow keys to enter the *Fluid Soundspeed* (in feet per second) in the gas to be measured and press [Enter].
11. Scroll to the appropriate choice to indicate whether you want *Reynolds Correction*, and press [Enter].
 - If *Off* is selected, go to Step 12.
 - If *On* is selected, the program asks for the *Kinematic Viscosity*. Use the arrow keys to enter the desired value, and press [Enter].
12. Use the arrow keys to enter a value for the flow *Calibration Factor* and press [Enter]. The default value is 1.00, but values between 0.50 and 2.0 may be entered.

Procedure Options

After completing the above steps, the XGM868i returns to the Channel PROGRAM window. Press [Escape] twice to return to the meter display. Then proceed to Chapter 3, *Operation*, for instructions on taking measurements, or refer to the *Programming Manual* for instructions on programming the Model XGM868i's advanced features.

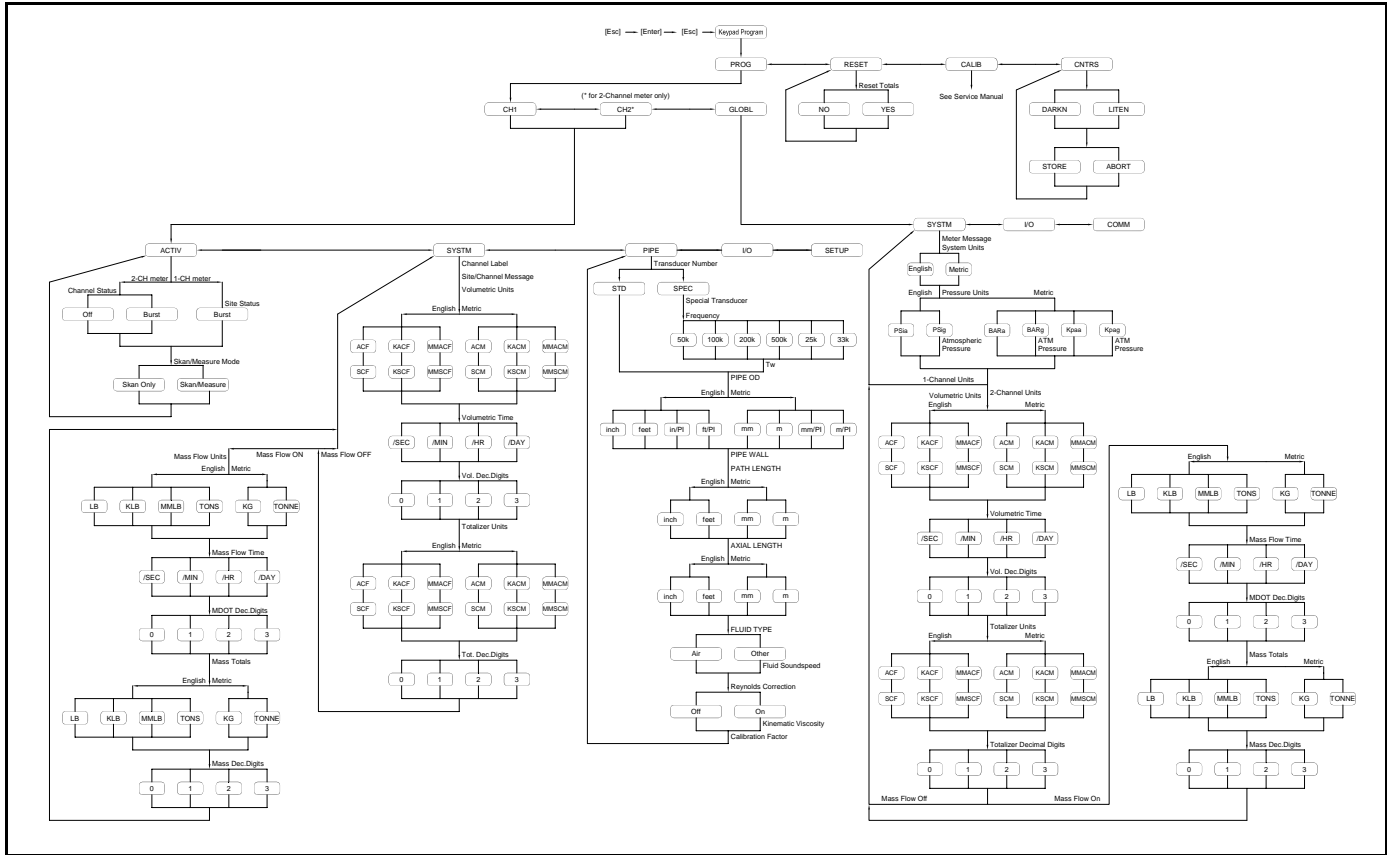


Figure 2-4: Model XGS9681 initial Setup Menu Map

Chapter 3

Operation

Introduction.....	3-1
Powering Up	3-2
The LCD Display	3-3
The Optional PanaView Display	3-4
Taking Measurements.....	3-5
Procedure Options	3-13

Introduction

See Chapter 1, *Installation*, and Chapter 2, *Initial Setup*, to prepare the Model XGM868i system for operation. When the meter is ready to take measurements, proceed with this chapter. The following specific topics are discussed:

- Powering Up
- Using the Display
- Taking Measurements
- Recording Diagnostics

Note: *All inputs and outputs of the Model XGM868i are calibrated at the factory, prior to shipment. If it becomes necessary to recalibrate any of the inputs and/or outputs, see Chapter 1, Calibration, of the Service Manual for instructions.*

!WARNING!

To ensure the safe operation of the Model XGM868i, it must be installed and operated as described in this manual. In addition, be sure to follow all applicable local safety codes and regulations for the installation of electrical equipment.

Powering Up

Because the Model XGM868i does **not** have an ON/OFF switch, it will power up as soon as the connected power source is energized.

Note: *For compliance with the European Union's Low Voltage Directive (73/23/EEC), this unit requires an external power disconnect device such as a switch or circuit breaker. The disconnect device must be marked as such, clearly visible, directly accessible, and located within 1.8 m (6 ft) of the Model XGM868i.*

There are three methods for obtaining readings from the XGM868i:

- Built-in LCD display
- PanaView software on a computer
- Device to read the XGM868i's analog output

At least one of the above display options must be installed in order to obtain flow rate readings from the meter.

Immediately upon power up the software version display appears. Then, the meter performs a series of internal checks, which take about 45 seconds, prior to displaying the flow rate data.

Note: *If the Model XGM868i fails any of the internal checks (see Chapter 2, Error Codes, in the Service Manual), try disconnecting the power and then repowering the unit. If the meter continues to fail any of the internal checks, contact the factory for assistance.*

After successfully performing the internal checks, the Model XGM868i begins taking measurements and the software version display is replaced by a measurement mode display. Proceed to the appropriate section for instructions on using the LCD display and the PanaView display option.

Note: *As a minimum, the system and pipe parameters (for each installed channel of a 2-channel meter) must be entered before the Model XGM868i can display valid data. Refer to Chapter 2, Initial Setup, for specific instructions.*

The LCD Display

The components of the LCD display are shown in Figure 3-1 below, along with a typical mass flow rate readout.

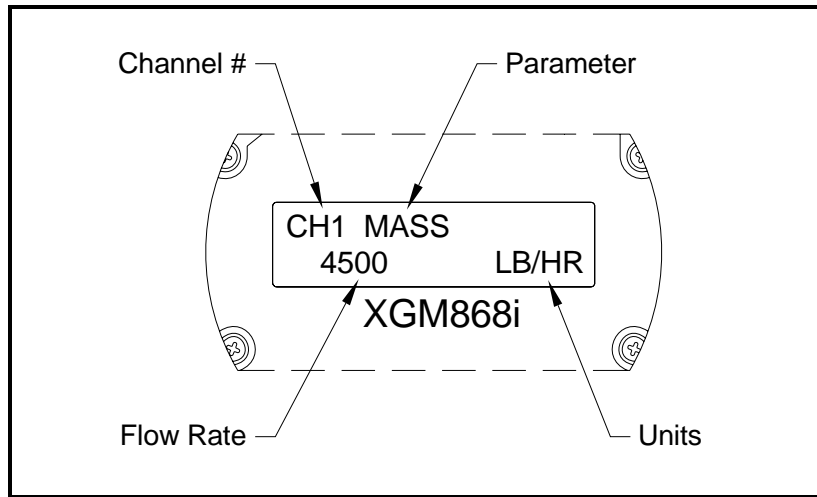


Figure 3-1: A Typical LCD Flow Rate Display

As shown in Figure 3-1 above, the display screen includes the following information:

- Channel Number
- Flow Parameter
- Units of Measure
- Flow Rate Value

The example in Figure 3-1 above uses the default display settings. However, the first three items in the list above may be reprogrammed to display a variety of alternative choices. See the *Programming Manual* for detailed instructions on programming these parameters.

Note: *The LCD backlight flashes to signal errors. If the backlight is off when an error is detected, the display is illuminated briefly; if the backlight is already on, the light is interrupted briefly. Error code messages may appear in the upper right corner of the LCD display. For information about these error codes and how to respond to them, refer to Chapter 2, Error Codes, in the Service Manual.*

Proceed to the *Taking Measurements* section to use the XGM868i.

The Optional PanaView Display

The components of the PanaView text display appear in Figure 3-2 below, along with a typical flow rate readout.

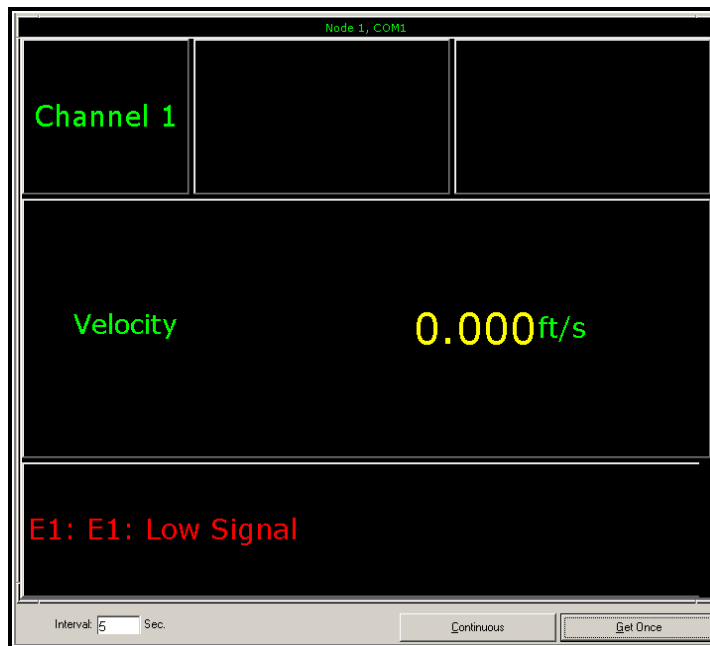


Figure 3-2: A Typical PanaView Text Display Pane

As shown in Figure 3-2 above, the text pane includes the following information:

- Channel Number
- Flow Parameter
- Units of Measure
- Flow Rate Value

The example in Figure 3-2 above is typical, but the first three items in the list above may be reprogrammed to display a variety of alternative choices. See the next section for detailed instructions on programming these parameters.

Note: *Error code messages may appear in the lower left corner of the PanaView text display window. For information about these error codes and how to respond to them, refer to Chapter 2, Error Codes, in the Service Manual.*

Proceed to the *Taking Measurements* section to use the XGM868i.

Taking Measurements

The Model XGM868i is capable of displaying several different variables in a variety of formats. However, this manual will discuss only the basic measurement displays using the LCD display or the PanaView display. Refer to Chapter 2, *Displaying Data*, in the *Programming Manual* for instructions on setting up alternate choices. Also, refer to the *Programming Manual* and/or the *PanaView User's Manual* to use PanaView or the analog outputs to obtain the flow rate data.

Programming the LCD

Note: *When you first initialize the XGM868i, the number of LCD parameters is set to OFF. You must program the LCD to display any measured parameters.*

Through the *Keypad Program*, you can program the LCD display to display up to four variables in sequence. Complete the following steps to program the LCD display:

1. Power up the XGM868i and wait until it has initialized.
2. Press [Escape], [Enter], [Escape].
3. In the *Keypad Program* window, scroll to PROG and press [Enter].
4. In the PROG menu, scroll to GLOBL and press [Enter].
5. Scroll to I/O and press [Enter].
6. Scroll to LCD and press [Enter].
7. The window now asks for the *# of LCD Parameters*. Scroll to the desired number (from OFF through 1-4 and KEY) and press [Enter].

The OFF setting switches the measurement display off, while the KEY setting enables users to change the measurement display via the arrow keys, without accessing the *Keypad Program*. If you select KEY:

- To view a parameter other than the one currently displayed, press the [△] or [▽] keys to scroll through the various parameters.
- To scroll through the channel options on a two-channel XGM868i, press the [◀] and [▶] keys until you have reached the desired option.

For a 1-Channel XGM868i, the data for Channel 1 is displayed automatically, and you can skip to step 9. However, for a 2-Channel meter, the channel data to be displayed must be specified at the following prompt.

Programming the LCD
(cont.)

8. Scroll to the desired *Channel option*, as listed in Table 3-1 below.

Table 3-1: Channel Options

Option	Description
CH1	Channel 1
CH2	Channel 2
SUM	CH1+CH2
DIF	CH1-CH2
AVE	(CH1+CH2)/2

9. For each channel, select the desired *Measurement Parameter*, as shown in Table 3-2 below.

Table 3-2: Available Measurement Parameters

Option Bar	Description	Good	Bad
VEL	Displays the flow velocity.	N.A.	N.A.
VOLUM	Displays the volumetric flow.	N.A.	N.A.
+TOTL	Displays the forward totalized volume flow.	N.A.	N.A.
-TOTL	Displays the reverse totalized volume flow.	N.A.	N.A.
TIMER	Displays the total flow measurement time.	N.A.	N.A.
MDOT	Displays the mass flow.	N.A.	N.A.
+MASS	Displays the forward totalized mass flow.	N.A.	N.A.
-MASS	Displays the reverse totalized mass flow.	N.A.	N.A.
SS up	Displays the signal strength for the upstream transducer.	50-75	<50 or >75
SS do	Displays the signal strength for the downstream transducer.	50-75	<50 or >75
SNDSP	Displays the measured speed of sound in the gas.	N.A.	N.A.
Tup	Displays the upstream ultrasonic signal transit time.	N.A.	N.A.
Tdown	Displays the downstream ultrasonic signal transit time.	N.A.	N.A.
DELTA	Displays the transit time difference between the upstream and downstream signals.	N.A.	N.A.

Table 3-2: Available Measurement Parameters (Continued)

Option Bar	Description	Good	Bad
Tot K	Displays the total K factor.	N.A.	N.A.
PEAK%	Displays the percentage of peak (set to +50 by default).	N.A.	N.A.
Qup	Displays the signal quality for the upstream transducer.	≥ 1200	-400 to +400
Qdown	Displays the signal quality for the downstream transducer.	≥ 1200	-400 to +400
AMPup	Displays the value for the signal amplitude of the upstream transducer.	24 ± 5	<19 or >29
AMPdn	Displays the value for the signal amplitude of the downstream transducer.	24 ± 5	<19 or >29
CNTup	Displays the AGC DAC count for the upstream gain setting.	N.A.	N.A.
CNTdn	Displays the AGC DAC count for the downstream gain setting.	N.A.	N.A.
P#up	Displays signal peaks for the upstream transducer.	100-2300	<100 or >2300
P#dn	Displays signal peaks for the downstream transducer.	100-2300	<100 or >2300
TEMP	Displays the gas temperature (from 0/4-20 mA input).	N.A.	N.A.
PRESR	Displays the gas pressure (from 0/4-20 mA input).	N.A.	N.A.
AcVOL	Displays actual volumetric flow.	N.A.	N.A.
StVOL	Displays standard volumetric flow.	N.A.	N.A.
Tu S ¹	Displays Skan transit time upstream.	N.A.	N.A.
Td S ¹	Displays Skan transit time downstream.	N.A.	N.A.
DT S ¹	Displays Skan Delta T.	N.A.	N.A.
Tu M ¹	Displays Measure transit time upstream.	N.A.	N.A.
Td M ¹	Displays Measure transit time downstream.	N.A.	N.A.
DT M ¹	Displays Measure Delta T.	N.A.	N.A.
Vinst	Displays the instantaneous velocity.	N.A.	N.A.
¹ available only if Burst Mode = S/M			

Programming the LCD
(cont.)

Note: *The measurement units that appear in these prompts are those selected in the GLOBL-SYSTM menu earlier in this section. Also, when differences in one channel's programming invalidate an output previously chosen for the other, the measurement defaults to the nearest selectable item in the parameter list.*

The previous two prompts repeat until all of the specified # of *LCD Parameters* have been set up. When all of the display parameters have been set up, the meter returns to the Global I/O window. To leave the *Keypad Program*, press the [Escape] key three times.

After leaving the *Keypad Program*, the XGM868i will reset itself and will begin to display the parameters specified in this section. If more than one parameter was set up, each of the parameters will be displayed in sequence, with a pause of several seconds between display changes.

Using the LCD Display

To use the programmed LCD display for obtaining flow rate data, simply power on the XGM868i as described earlier in this chapter. Then, read the flow rate directly from the display, as shown in Figure 3-1 on page 3-3.

Note: *See Chapter 2, Displaying Data, in the Programming Manual to customize the contents of the LCD display.*

PanaView Display

Power up PanaView, establish communications with the XGM868i and enter the required startup parameters, as described in Chapter 2, *Initial Setup*. Then, proceed as follows:

Note: See Chapter 2, *Initial Setup*, in this manual and/or Chapter 1, *Programming Site Data*, in the Programming Manual for complete instructions on entering startup data via PanaView.

1. In PanaView, pull down the *Output* menu, as shown in Figure 3-3 below, and click on the *Text Display* option.

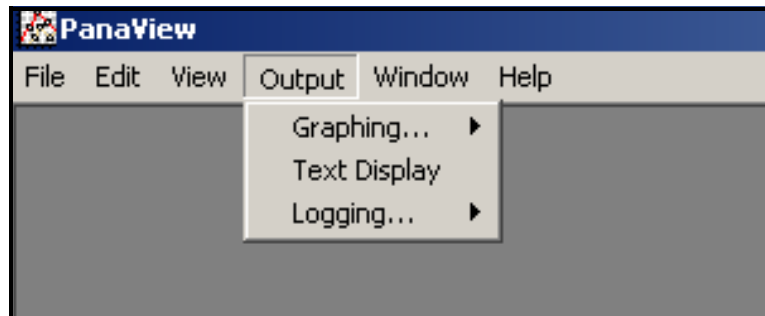


Figure 3-3: The Output Menu

Note: The *Text Display* window that appears after Step 1 is actually stacked on top of any previously opened windows (such as the *Meter Browser* window).

2. Using the *Window* menu, as described on page 5-19 of the *PanaView User's Manual*, arrange the open windows in the desired format. For this discussion, Figure 3-4 below shows the *Text Display* window in its maximized (full-screen) size.

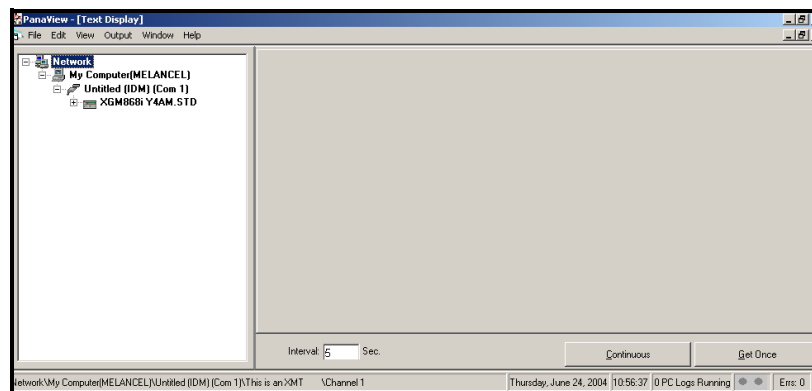


Figure 3-4: The Text Display Window

3. The left pane of the *Text Display* window contains the standard PanaView network tree. Expand the XGM branch, and double-click on the desired channel. (On 2-channel units, you can also display the SUM, DIFF or AVG parameters.)

PanaView Display (cont.)

4. From the expanded tree, double-click on the desired flow parameter to display it in the right pane of the window.
5. Before actual data values can be displayed in the text pane, activate one of the following data collection modes (see Figure 3-4 above):
 - Click on the [Get Once] option button at the bottom of the right pane in the *Text Display* window. The current value of the selected process parameter, as specified in the PanaView network tree, is displayed in the right pane of the *Text Display* window.

or

- Enter an “*interval*” in the text box at the bottom of the right pane in the *Text Display* window, or check the “*Max. Comm Rate*” box to collect readings as fast as the system allows (1 sec). Then, click on the [Continuous] option button to begin collecting data for display in the right pane of the *Text Display* window.

Note: *Any value entered in the “Interval” text box is overridden if the “Max. Comm Rate” box is checked.*

The right pane now appears similar to Figure 3-2 on page 3-4.

6. If the [Continuous] option was selected in Step 5 above, click on the [Stop] option button, which has replaced the original [Continuous] option button, to terminate data collection.

The *Text Display* window may be left open while other tasks are performed, or it may be closed by clicking on the lower [X] control button at the far right of the menu bar.

IMPORTANT: *If you click on the upper [X] control button at the far right of the PanaView title bar, you will exit PanaView completely.*

Displaying Multiple Process Parameters

The procedure for displaying a single process parameter in a text screen may be repeated to simultaneously display multiple process parameters. To do so, proceed as follows:

1. Display the first process parameter in a text screen, as described in the previous section.
2. Repeat Step 1 for any desired additional process parameters, by double clicking on them in the PanaView network tree. PanaView automatically tiles the multiple text screens in the right pane of the *Text Display* window, as shown in Figure 3-5 below.

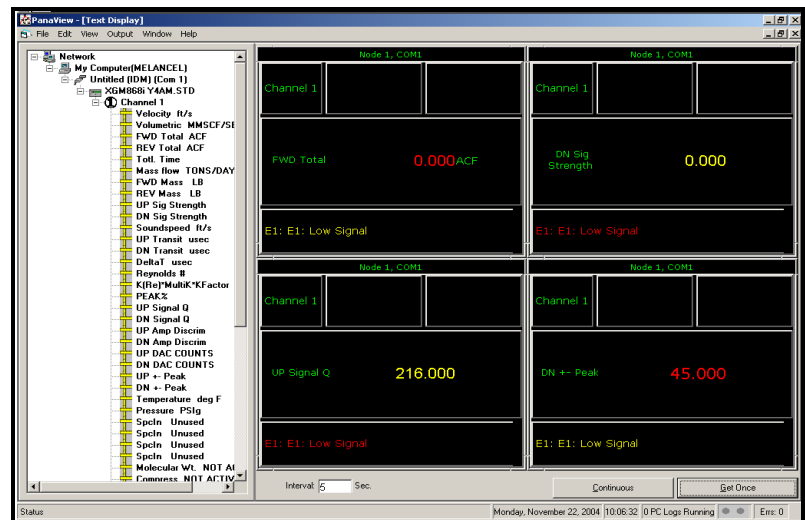


Figure 3-5: Multiple Text Screens in the *Text Display* Window

3. As in any standard Windows application, the multiple text screens may be resized by dragging their borders. Also, the individual panes within a parameter's text screen may be resized by dragging the borders within that text screen.
4. To close an open text screen, right click anywhere within that screen (except in the title bar or the error section) and click on the [Remove] option that pops up in the context menu.

Note: After resizing or removing any of the multiple text screens, the default tiled layout may be restored by opening the Window menu (see the PanaView User's Manual) and clicking on the *Tile Output Displays* option.

Displaying Multiple Text Windows

The procedures for displaying one or more process parameters in a single *Text Display* window may be repeated to open multiple *Text Display* windows. To do so, proceed as follows:

1. To open another *Text Display* window and display the desired process parameter(s) in the new window, repeat the steps in *PanaView Display*.
2. Arrange the multiple *Text Display* windows as desired via the *Window* menu (see the *PanaView User's Manual*).

Pausing Measurement

On occasion, it might become necessary for the XGM868i to stop taking measurements. Through *PanaView*, you can direct the XGM868i to pause measurements without cutting off power from the meter.

1. From the meter tree in the *New Meter Browser*, click on the XGM868i entry.
2. Expand the *Edit Functions* option, and double-click on the *Pause Measurement* entry. A window opens similar to Figure 3-6 below.

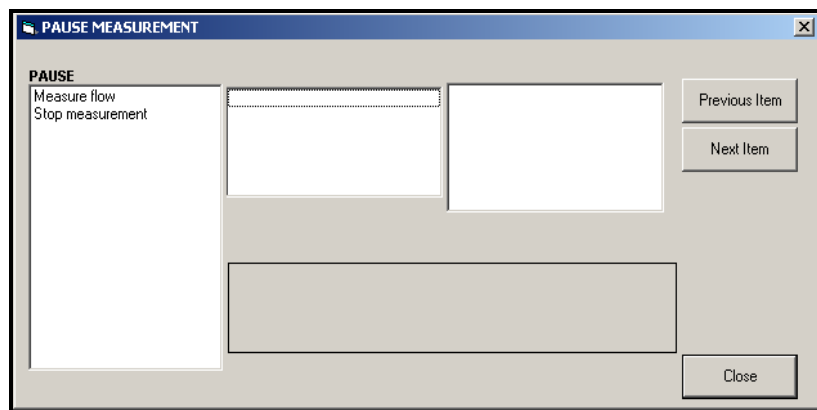


Figure 3-6: The *Pause Measurement* Window

3. To pause current measurements, double-click on the *Stop measurement* option. The window closes, and the XGM868i stops taking measurements.
4. To restart measurement, double-click on the *Pause Measurement* entry, and then on the *Measure flow* option. The XGM868i resumes flow measurement.

Procedure Options


The *Startup Guide* is intended to provide only those instructions necessary to get the XGM868i installed and operating. By following the instructions in this chapter, the Model XGM868i can be set up to display the desired channel option and the desired measurement parameter, using either the LCD display or PanaView.

To utilize the more advanced capabilities of the Model XGM868i, refer to the *Programming Manual* and/or the *Service Manual* for the instrument. Also, refer to the *PanaView™ User's Manual* for instructions on using the PanaView software with the XGM868i.

Chapter 4

Specifications

General Specifications	4-1
Electrical Specifications	4-2
Flow Transducer Specifications	4-4
Flowcell Specifications	4-5

General Specifications	The general specifications for the Model XGM868i flow transmitter are as follows:
Hardware Configuration	Enclosures: Standard: Epoxy-coated aluminum Type 4X/IP66 Class 1, Division 1, Groups B C and D Flameproof ISSeP 02ATEX008  II 2GD EE d IIC T5 IP66 T95°C Optional: Stainless steel Physical: Size: 8.2 in. long x 6.6 in. diameter (208 x 168 mm) Weight: Al = 10 lb (4.5 kg), SS = 30 lb (13.6 kg)
Environmental	Operating Temperature: -40° to 140°F (-40° to 60°C) Storage Temperature: -67° to 167°F (-55° to 75°C)
Velocity Accuracy	% of Reading: ±1% to 2% of reading typical Note: <i>Accuracy depends on pipe size and other factors, such as 1-path or 2-path measurement. Accuracy to ±0.5% of reading may be achievable with process calibration.</i>
Velocity Range	Bidirectional: -150 to -0.1 ft/s (-46 to -0.03 m/s) 0.1 to 150 ft/s (0.03 to 46 m/s)
Rangeability	1500:1
Repeatability	±0.2% to 0.5% of reading Note: <i>Specifications assume a fully developed flow profile, with a typical straight run of pipe 20 diameters upstream and 10 diameters downstream, and flow velocity greater than 3 ft/s (1m/s). Accuracy depends on pipe size and other factors.</i>

Electrical Specifications The electrical specifications for the Model XGM868i flow transmitter are as follows:

Power Supply

Options:

Standard: 95 to 240 VAC, 50/60 Hz, $\pm 10\%$.

Optional: 12 to 28 VDC, $\pm 5\%$.

Power Consumption

20 W maximum

Operating Mode

Correlation Transit-Time™ flow measurement

European Compliance

See the *CE Declaration of Conformity* and the *ATEX Certificate of Compliance* at the back of this manual.

Input/Output Specifications

Digital Display:

2-line x 16-character, software-configurable, LCD display with LED backlight

Digital Communications:

Standard: RS232 serial port for PC, Terminal or Printer

Optional: RS485 serial port for multi-user network
RS485 MODBUS Communications
MODBUS/TCP
Ethernet
Foundation Fieldbus

Analog Outputs (built-in):

Two isolated 0/4–20 mA analog outputs, 600 Ω maximum load

Option Cards:

Optional Inputs/Outputs of the following types may be added:

1. *Analog Inputs:* two or four isolated 0/4-20 mA inputs, 24-V loop power.
2. *RTD Inputs:* two or four isolated 3-wire RTD inputs; Span -148° to 662°F (-100° to 350°C)

Inputs of the following types may be used:

- a. Temp from -40° to 500°F (-40° to 260°C)
- b. Pressure from 0–3,000 psig

Input/Output
Specifications (cont.)

Option Cards (cont.):

3. *Analog Outputs:* two isolated 0/4–20 mA analog outputs, 1000 Ω maximum load
4. *Data Logging:* 128 kB (expandable to 2 MB) of memory
5. *Totalizer/Frequency Outputs:* two or four optically isolated pulse or frequency outputs, 100 VDC/3 A/1 W/10 kHz max.

Totalizer Mode: one pulse per defined unit of parameter (e.g., 1 pulse/gal).

Frequency Mode: pulse frequency proportional to magnitude of parameter (e.g., 10 Hz = 1 gal/min).

6. *Alarm Relays:* two or four Form-C relays

General Purpose: 120 VAC, 28 VDC max., 5 A max.,
DC = 30 W max., AC = 60 VA max.


Note: *The above optional inputs/outputs are available only in specific combinations. Consult the factory or see Table B-1 on page B-1 for details.*

Preamplifier

Inline preamplifier for long cable lengths or attenuating installations, operating temperature -40° to 140° F (-40° to 60° C)

Flow Transducer Specifications

The ultrasonic flow transducer specifications for the Model XGM868i flow transmitter are as follows:

Type	Standard: T9 Optional: BWT™ System
Temperature Range	Standard: -40° to 400°F (-40° to 205°C) Optional: -310° to 932°F (-190° to 500°C)
Pressure Range	Standard: 0-250 psig (0.1013-1.824 MPa), 750 psig (5.272 MPa) test Optional: 3,480 psig (24.109 MPa)
Materials	Standard: all metal, titanium Optional: Monel®, Hastalloy®, and 316 stainless steel
Physical	Cable Type and Length: <i>Standard:</i> RG62 a/U coaxial, up to 3 ft (1 m) <i>Optional:</i> RG62 a/U coaxial, up to 1,000 ft (300 m) Area Classifications: <ul style="list-style-type: none">• Standard: General purpose• Optional: Weatherproof Type 4X/IP66• Optional: Explosion-proof (Class 1, Division 1, Groups B, C & D)• Optional: Flameproof  II2 GD EEx d IIC T6

Flowcell Specifications	The flowcell specifications for the Model XGM868i flow transmitter are as follows:
Spoolpiece	Process Connections: Flanged, welded optional Transducer Connections: 1-1/2 in., 300 lb. RF flange 600 lb. PanaPort
Cold Tap	Process Connections: NA Transducer Connections: PanaPort cold tap kit Optional: ANSI flanged 150 lb. to 1500 lb.
Pipe Size & Materials	Pipe OD: 2 to 120 in. (50 to 3000 mm) NB and larger. Materials: All metals. Consult GE for other materials.

Appendix A

CE Mark Compliance

Introduction.....A-1

Wiring.....A-1

Introduction

For CE Mark compliance, the Model XGM868i flow transmitter must be wired in accordance with the instructions in this appendix.

IMPORTANT: *CE Mark compliance is required only for units intended for use in EEC countries.*

Wiring

The Model XGM868i must be wired with the recommended cable, and all connections must be properly shielded and grounded. Refer to Table A-1 below for the specific requirements.

Table A-1: Wiring Requirements

Connection	Cable Type	Ground Termination
Transducer	Armored RG62 a/U	Grounded via cable gland.
Input/Output	Armored 22 AWG shielded (e.g. Baystate #78-1197) with armored material added to outside of jacket	Grounded via cable gland.
Power	Armored 14 AWG 3 conductor	Grounded via cable gland.

Note: *If the Model XGM868i is wired as described in this appendix, the unit will comply with the EMC Directive 89/336/EEC.*

Appendix B

Data Records

- Available Option Cards B-1
- Option Cards Installed B-2
- Setup Data B-3

Available Option Cards The Model XGM868i can hold one option card in Slot 1 and one in Slot 2. The available configurations are listed in Table B-1 below.

Table B-1: Option Card Configurations

Card #	Slot #	Configuration
1215-02	1	FF - 4 Frequency Outputs
1215-03		TT - 4 Totalizer Outputs
1215-04		FT - 2 Frequency Outputs/2 Totalizer Outputs
1215-05		FO - 2 Frequency Outputs
1215-06		TO - 2 Totalizer Outputs
1215-07		AA - 4 Standard Alarms
1215-09		FA - 2 Frequency Outputs/2 Standard Alarms
1215-11		TA - 2 Totalizer Outputs/2 Standard Alarms
1223-02/1473-02		OI - 2 Current Inputs
1223-03/1473-03		OR - 2 RTD Inputs
1223-04/1473-04		TI - 2 Current Inputs/2 Totalizer Outputs
1223-05/1473-05		TR - 2 RTD Inputs/2 Totalizer Outputs
1223-06/1473-06		FI - 2 Current Inputs/2 Frequency Outputs
1223-07/1473-07		FR - 2 RTD Inputs/2 Frequency Outputs
1223-08/1473-08		AI - 2 Current Inputs/2 Standard Alarms
1223-10/1473-10		AR - 2 RTD Inputs/2 Standard Alarms
1225-13		CO - 2 Current Outputs
1225-14		CF - 2 Current Outputs/2 Frequency Outputs
1225-15		CT - 2 Current Outputs/2 Totalizer Outputs
1225-16		CA - 2 Current Outputs/2 Standard Alarms
1430-03	RR - 4 RTD Inputs	
1430-04	IR - 2 RTD Inputs/2 Current Inputs	
1146-02/1332-02	2	128 KB Memory
1146-03/1332-03		2 MB Memory
1345-04		Modbus Communications Protocol
1385		HART Communication
1477-03		MODBUS/TCP/IP
1477-01		Ethernet
1475-01		Foundation Fieldbus

Option Cards Installed

Whenever an option card is installed or changed in the Model XGM868i flow transmitter, record the type of card and any additional setup information in the appropriate row of Table B-2 below.

Table B-2: Option Cards Installed

Slot #	Type of Option Card	Additional Setup Information
0	Analog Outputs (A, B)	
1		
2		

Setup Data

After the Model XGM868i flow transmitter has been installed, setup data must be entered via the *User Program* prior to operation. Record that information in Table B-3 below.

Table B-3: Setup Data

General Information					
Model #				Serial #	
Software Vers.				Setup Date	
Channel - Status					
Channel 1			Channel 2		
Channel Status	Off	Burst	Channel Status	Off	Burst
Measure Mode	Skcn	S/M	Measure Mode	Skcn	S/M
Channel - System					
Channel Label				Channel Label	
Site/Channel Msg.				Channel Message	
Vol. Units				Vol. Units	
Vol. Time Units				Vol. Time Units	
Vol. Dec. Digits				Vol. Dec. Digits	
Totalizer Units				Totalizer Units	
Tot. Dec. Digits				Tot. Dec. Digits	
Mass Flow				Mass Flow	
Mass Flow Time				Mass Flow Time	
MDOT Dec. Dig.				MDOT Dec. Dig.	
Mass Totalizer				Mass Totalizer	
Mass Dec. Dig.				Mass Dec. Dig.	
Channel - Pipe Parameters					
Channel 1			Channel 2		
Trans. Type	STD	SPEC	Trans. Type	STD	SPEC
Transducer #				Transducer #	
Spec. Trans. Freq.				Spec. Trans. Hz	
Spec. Trans. Tw				Spec. Trans. Tw	
Pipe O.D.				Pipe O.D.	
Pipe Wall				Pipe Wall	
Path Length (P)				Path Length (P)	
Axial Length (L)				Axial Length (L)	
Fluid Type	Air	Other	Fluid Type	Air	Other
Other/Sndspd				Other/Sndspd	
Calibration Factor				Calibration Factor	

Table B-3: Setup Data (cont.)

Channel - Input/Output						
Zero Cutoff				Zero Cutoff		
Temp. Input				Temp. Input		
Base Temp.				Base Temp.		
Pressure Input				Pressure Input		
Base Pressure				Base Pressure		
Low Press. Switch	No	Yes		Low Press. Switch	No	Yes
Pressure Limit				Pressure Limit		
Channel - SETUP - V Averaging						
Response Time				Response Time		
Channel - SETUP - Advanced Features - Multi K Factors						
K-Factor #	Velocity	K-Factor		K Factor #	Velocity	K-Factor
1				1		
2				2		
3				3		
4				4		
5				5		
6				6		
7				7		
8				8		
9				9		
10				10		
Channel - SETUP - Advanced Features - Multi K Factors (cont.)						
K-Factor #	Velocity	K-Factor		K Factor #	Velocity	K-Factor
11				11		
12				12		
13				13		
14				14		
15				15		
16				16		
17				17		
18				18		
19				19		
20				20		
Channel - SETUP - Advanced Features - Mass Flow Calculation						
Mass Flow	Yes	No		Mass Flow	Yes	No
Density Type	Fluid Dens.	Mole. Wgt.		Density Type	Fluid Dens.	Mole. Wgt.
Qact or Qstd?	Actual	Standard		Qact or Qstd?	Actual	Standard
Fluid Density				Fluid Density		
Mole. Weight				Mole. Weight		

Table B-3: Setup Data (cont.)

Global - System						
Meter Message				Totalizer Units		
System Units	English	Metric		Tot. Dec. Digits		
Pressure Units				Mass Flow		
Atmos. Pressure				Mass Flow Time		
Vol. Units				MDOT Dec. Digit		
Vol. Time Units				Mass Totals		
Vol. Dec. Digits				Mass Dec. Digits		
Global - Input/Output - Error Handling						
Error Handling			2-Path Error	No	Yes	
Global - Communications Port						
Meter Address				MOD. Parity		
Baud Rate				MOD. Stop Bits		
MOD. Baud Rate				MOD. Address		

Appendix C

Measuring P and L Dimensions

Introduction.....C-1

Measuring P and LC-1

Introduction

When programming the PIPE menu in the Model XGM868i's *User Program*, the *path length* (P) and the *axial dimension* (L) must be entered. These parameters are determined by measurements on the actual transducer installation, with P equal to the face-to-face distance between the transducers and L equal to the axial distance between the centers of the transducer faces.

The accuracy of the programmed P and L values is critical to precise flow rate measurements. If GE Sensing supplies the flowcell for the system, the correct values will be included in the documentation supplied with the system. For transducers installed on an existing pipe (see Figure C-1 on page C-2), P and L must be measured at the site. This appendix provides instructions for properly determining these dimensions.

Measuring P and L

Whenever possible, physically measure the face-to-face distance (P) and the axial distance (L) between the centers of the flat faces of the transducers. Refer to Figure C-1 on page C-2 for an illustration of the proper distances to measure, in a typical installation.

In some situations only one of the required distances can be directly measured. When this happens, a knowledge of the installation angle (θ) of the transducers, permits the second distance to be calculated from Equation C-1 below:

$$\cos \theta = \frac{L}{P} \quad (C-1)$$

As an example, assume that the transducer installation angle is known to be 45° and the L distance is measured to be 10.00 inches. Then, the P distance is calculated to be $P = 10.00/0.707 = 14.14$ inches.

With a Bias 90° transducer installation, it sometimes happens that the only known parameters are the transducer angle (θ) and the centerline distance between the transducer bodies (CL). In these cases, it is still possible to calculate P and L by combining Equation C-1 above with the additional Equation C-2 below (see Figure C-1 on page C-2):

$$P = CL - 1.2 \quad (C-2)$$

Standard GE Sensing 90° transducers have the face offset from the centerline of the body by 0.6 inches. Thus, a pair of transducers has a total offset of 1.2 inches, as indicated in Equation C-2 above. For example, suppose that the transducer installation angle is 30° and CL is measured to be 12.00 inches. Then, $P = 12.00 - 1.2 = 10.80$ inches and $L = 10.80 \times 0.866 = 9.35$ inches.

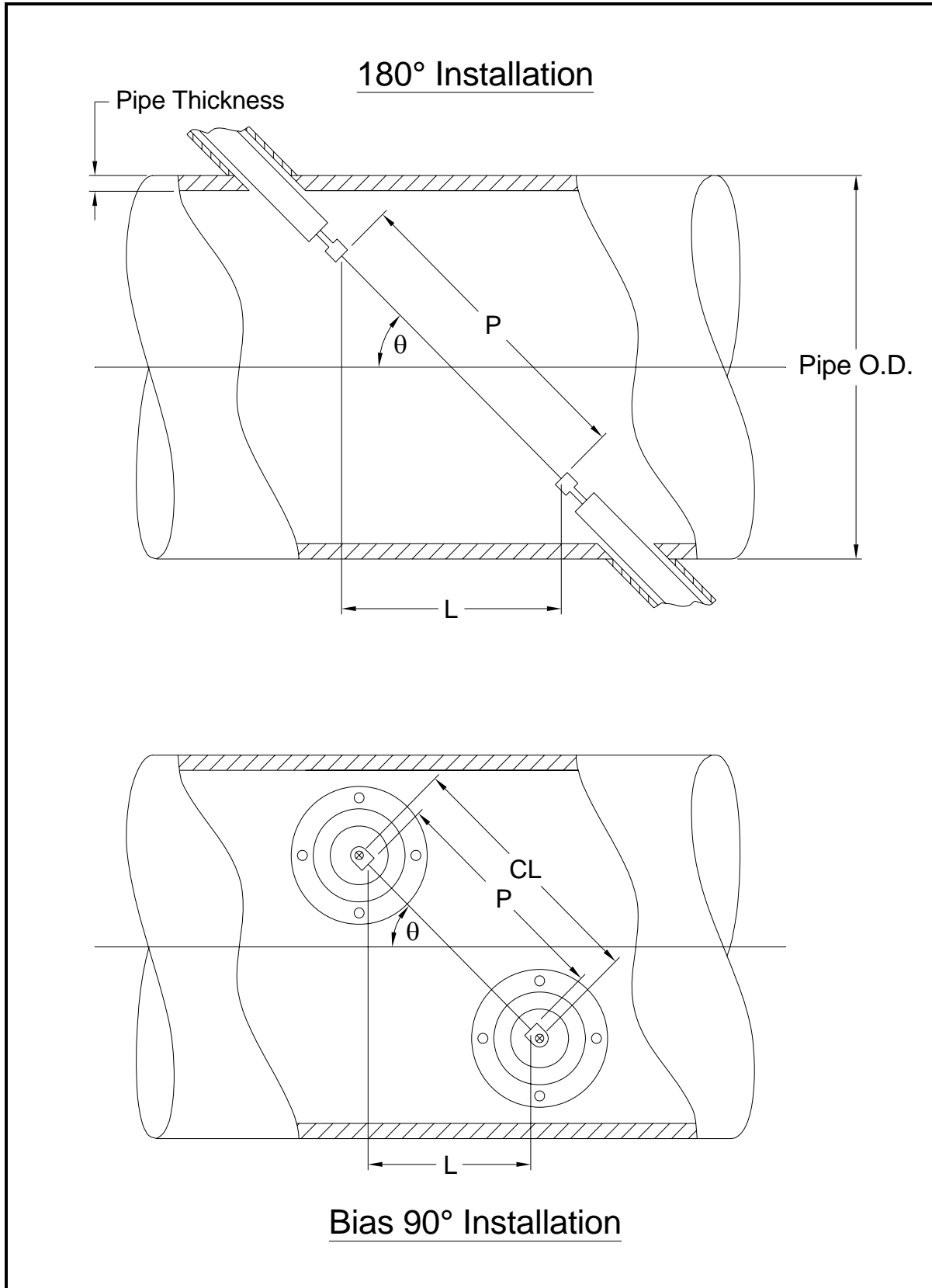


Figure C-1: Top View of Typical Transducer Installations

Index

Symbols		D	
+MASS.....	3-6	Data Logging Option Card	1-24
+TOTL.....	3-6	DELTA	3-6
A		Display Data	3-2
Activating a Channel	2-7	Down Arrow Key	2-2
AcVOL.....	3-7	DT M.....	3-7
Alarms Option Card		DT S	3-7
Connecting	1-17	E	
Fail-Safe Operation	1-17	Electrical Connectors	1-6
Pin Assignments.....	1-17, 1-27	Electronics Console	
AMPdn.....	3-7	Description	1-3
AMPup.....	3-7	Mounting.....	1-6, 1-25
Analog Inputs Option Card		Enter Key	2-2
Connecting	1-18	Error Codes.....	3-3, 3-4
Pin Assignments.....	1-18	Escape Key	2-2
Rating.....	1-18	Ethernet	
Analog Outputs (Slot 0)		Terminal Block Connectors	1-30
Connecting	1-11	Ethernet, Wiring the	1-23
Pin Assignments.....	1-27	F	
Analog Outputs Option Card		Flowcell	
Connecting	1-20	Description	1-3
Pin Assignments.....	1-27	Installing	1-4
Arrow Keys	2-2	Fluid Soundspeed	2-12
Axial Dimension, Measuring	C-1	Fluid Type.....	2-12
Axial Length.....	2-12	Fluid Type, Entering	2-12
C		Foundation Fieldbus	
Cable		Terminal Block Connectors	1-30
Serial Port.....	1-13	Fuse Ratings	4-2
Transducers	1-4, 1-10	G	
CE Mark Compliance.....	A-1	Global	
Channel Label	2-8	Menu	2-4
Channel Message	2-8	Submenus	2-4
Channel System Data		Global Menu	
Accessing the Submenu	2-8	LCD Option	3-5
Entering	2-8	Global System Data	
Mass Flow Units	2-9	Mass Flow Units	2-6
Totalizer Units	2-8	Totalizer Units.....	2-5
Volumetric Units	2-8	GLOBL Menu.....	2-4
Channel, Activating	2-7	GLOBL-SYSTEM Submenu	2-4
CNTdn	3-7		
CNTup	3-7		
Connectors, Electrical	1-6		

Index (cont.)

I	M
I/O (Global) Submenu	-MASS 3-6
LCD Option 3-5	Mass Flow Data, Entering 2-6
Infrared Keypad, Using 2-2	Mass Flow Units 2-9
Initial Setup	MDOT 3-6
Data Table B-3	Measurement Parameters. 3-6
Minimum Required. 2-1	Measurements 3-5
Input Voltage. 1-8	Displaying 3-2
Installation	Taking 3-2
Site Considerations 1-2	Menus, Output 3-9
Unpacking. 1-2	MODBUS 1-21
Internal Tests. 3-2	MODBUS/TCP
	Terminal Block Connectors. 1-30
K	MODBUS/TCP, Wiring the. 1-23
Keypad Program	Mounting Techniques 1-26
LCD Option 3-5	Multiple Parameter Text Displays. 3-11
Keypad Program, Entering 2-3	Multiple Text Windows 3-12
Keypad Program, Exiting if Unused. 2-3	
KV Input Selection 2-12	O
	Option Card Connection Labels 1-28
L	Option Cards
LCD Option 3-5	Alarms 1-17
Left Arrow Key. 2-2	Analog Inputs 1-18
Lightning Protector, Connecting. 1-11	Analog Outputs 1-20
Liquid Crystal Display (Transmitter)	Data Logging. 1-24
Setting Up. 3-5	RTD Inputs 1-20
LVD Statement 1-3	Setup Information Table B-2
	Totalizer/Frequency Outputs 1-19
	Types Available B-1
	Wiring 1-16
	Outline Drawing 1-25
	Output Menu 3-9

Index (cont.)

P	R
P#dn	3-7
P#up	3-7
PanaView, Displaying Data in	3-4
Path Length	2-11
Path Length, Measuring	C-1
Pausing Measurement	3-12
PEAK%	3-7
Pipe Length	2-11
Pipe OD Unit	2-11
Pipe OD, Programming	2-11
Pipe Parameters	
Axial Length	2-12
Entering	2-10
OD/Circumference	2-11
Path Length	2-11
Special Transducer Number	2-10
Wall Thickness	2-11
Pipe Wall Thickness	2-11
Power	
Connecting	1-8
Terminal Block	1-8, 1-27
Powering Up	
Display	3-2
Internal Checks	3-2
Preamplifier	4-3
Connecting	1-10
PRESR	3-7
Pressure Transmitter	
Installing	1-5
Location	1-4
Q	
Qdown	3-7
Qup	3-7
	Right Arrow Key 2-2
	RS232 Port
	<i>See Serial Port</i>
	RS485 Serial Port
	MODBUS 1-21
	RTD Inputs Option Card
	Connecting 1-20
	Pin Assignments 1-27
	RTD Temperature Transmitter 1-5
S	
	Serial Port
	Cable 1-13
	Connecting 1-13, 1-14
	Pin Assignments 1-13, 1-14, 1-27
	Site Considerations 1-2
	Slot 0
	<i>See Analog Outputs (Slot 0)</i>
	SNDSP 3-6
	Special Transducers, Entering Number 2-10
	Specifications
	Electrical 4-2
	Flowcell 4-5
	General 4-1
	Transducer 4-4
	SS do 3-6
	SS up 3-6
	StVOL 3-7
	System (Global) Submenu 2-4
	System Data
	Entering Channel 2-8
	Entering in GLOBL Menu 2-4
	System Units
	in GLOBL-SYSTM Submenu 2-4

We,

Panametrics Limited
Shannon Industrial Estate
Shannon, County Clare
Ireland

declare under our sole responsibility that the

DigitalFlow™ XGM868i Ultrasonic Gas Flow Transmitter
DigitalFlow™ XGS868i Ultrasonic Steam Flow Transmitter
DigitalFlow™ XMT868i Ultrasonic Liquid Flow Transmitter

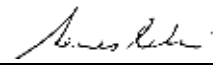
to which this declaration relates, are in conformity with the following standards:

- EN 50014:1997+A1+A2:1999
EN 50018:2000
EN50281-1-1:1998
as specified in: ISSeP02ATEX008; II 2 GD EEx d IIC T5
ISSeP, B7340 Colfontaine, Belgium
- EN 61326:1998, Class A, Annex A, Continuous Unmonitored Operation
- EN61010-1:1993+A2:1995, Overvoltage Category II, Pollution Degree 2
- EN 60529:1991+A1:2000
IP66

following the provisions of the 89/336/EEC EMC Directive, the 94/9/EC ATEX Directive and the 73/23/EEC Low Voltage Directive.

The *units listed above and any transducers supplied with them (spoolpieces are addressed under a separate declaration of conformity)* do not bear CE marking for the Pressure Equipment Directive, as they are supplied in accordance with Article 3, Section 3 (sound engineering practices and codes of good workmanship) of the Pressure Equipment Directive 97/23/EC for DN<25.

Shannon - December 7, 2004



Mr. James Gibson
GENERAL MANAGER



CERT-DOC-H4



August 2004

Nous,

Panametrics Limited
Shannon Industrial Estate
Shannon, County Clare
Ireland

déclarons sous notre propre responsabilité que les

DigitalFlow™ XGM868i Ultrasonic Gas Flow Transmitter
DigitalFlow™ XGS868i Ultrasonic Steam Flow Transmitter
DigitalFlow™ XMT868i Ultrasonic Liquid Flow Transmitter

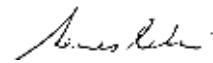
relatif à cette déclaration, sont en conformité avec les documents suivants:

- EN 50014:1997+A1+A2:1999
EN 50018:2000
EN50281-1-1:1998
as specified in: ISSeP02ATEX008; II 2 GD EEx d IIC T5
ISSeP, B7340 Colfontaine, Belgium
- EN 61326:1998, Class A, Annex A, Continuous Unmonitored Operation
- EN61010-1:1993+A2:1995, Overvoltage Category II, Pollution Degree 2
- EN 60529:1991+A1:2000
IP66

suivant les règles de la Directive de Compatibilité Electromagnétique 89/336/EEC, d'ATEX 94/9/EC et de la Directive Basse Tension 73/23/EEC.

Les matériels listés ci-dessus ainsi que les transducteurs pouvant être livrés avec (les manchettes faisant l'objet d'une déclaration de conformité séparée) ne portent pas le marquage CE de la directive des équipements sous pression, car ils sont fournis en accord avec la directive 97/23/EC des équipements sous pression pour les DN<25, Article 3, section 3 qui concerne les pratiques et les codes de bonne fabrication pour l'ingénierie du son.

Shannon - December 7, 2004



Mr. James Gibson
DIRECTEUR GÉNÉRAL



CERT-DOC-H4



August 2004

Wir,

**Panametrics Limited
Shannon Industrial Estate
Shannon, County Clare
Ireland**

erklären, in alleiniger Verantwortung, daß die Produkte

**DigitalFlow™ XGM868i Ultrasonic Gas Flow Transmitter
DigitalFlow™ XGS868i Ultrasonic Steam Flow Transmitter
DigitalFlow™ XMT868i Ultrasonic Liquid Flow Transmitter**

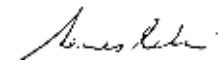
folgende Normen erfüllen:

- EN 50014:1997+A1+A2:1999
EN 50018:2000
EN50281-1-1:1998
as specified in: ISSeP02ATEX008; II 2 GD EEx d IIC T5
ISSeP, B7340 Colfontaine, Belgium
- EN 61326:1998, Class A, Annex A, Continuous Unmonitored Operation
- EN61010-1:1993+A2:1995, Overvoltage Category II, Pollution Degree 2
- EN 60529:1991+A1:2000
IP66

gemäß den Europäischen Richtlinien, Niederspannungsrichtlinie Nr.: 73/23/EG und EMV-Richtlinie Nr.: 89/336/EG und ATEX Richtlinie Nr. 94/9/EG.

Die oben aufgeführten Geräte und zugehörige, mitgelieferte Schallwandler (Messrohre werden in einer separaten Konformitätserklärung behandelt) tragen keine CE-Kennzeichnung gemäß der Druckgeräte-Richtlinie, da sie in Übereinstimmung mit Artikel 3, Absatz 3 (gute Ingenieurpraxis) der Druckgeräte-Richtlinie 97/23/EG für DN<25 geliefert werden.

Shannon - December 7, 2004



Mr. James Gibson
GENERALDIREKTOR



CERT-DOC-H4



August 2004

We,

GE Sensing, Inc.
1100 Technology Park Drive
Billerica, MA 01821-4111
U.S.A.

as the manufacturer, declare under our sole responsibility that the product

XGM868 Multi-Purpose Gas Ultrasonic Flow Transmitter

to which this document relates, in accordance with the provisions of ATEX Directive 94/9/EC Annex II, meets the following specifications:



Furthermore, the following additional requirements and specifications apply to the product:

- Having been designed in accordance with EN 50014, EN 50018, and EN 50281, the product meets the fault tolerance requirements of electrical apparatus for category “d”.
- The product is an electrical apparatus and must be installed in the hazardous area in accordance with the requirements of the EC Type Examination Certificate. The installation must be carried out in accordance with all appropriate international, national and local standard codes and practices and site regulations for flameproof apparatus and in accordance with the instructions contained in the manual. Access to the circuitry must not be made during operation.
- Only trained, competent personnel may install, operate and maintain the equipment.
- The product has been designed so that the protection afforded will not be reduced due to the effects of corrosion of materials, electrical conductivity, impact strength, aging resistance or the effects of temperature variations.
- The product cannot be repaired by the user; it must be replaced by an equivalent certified product. Repairs should only be carried out by the manufacturer or by an approved repairer.
- The product must not be subjected to mechanical or thermal stresses in excess of those permitted in the certification documentation and the instruction manual.
- The product contains no exposed parts which produce surface temperature infrared, electromagnetic ionizing, or non-electrical dangers.





USA

1100 Technology Park Drive
Billerica, MA 01821-4111
Web: www.gesensing.com

Ireland

Sensing House
Shannon Free Zone East
Shannon, Co. Clare
Ireland

