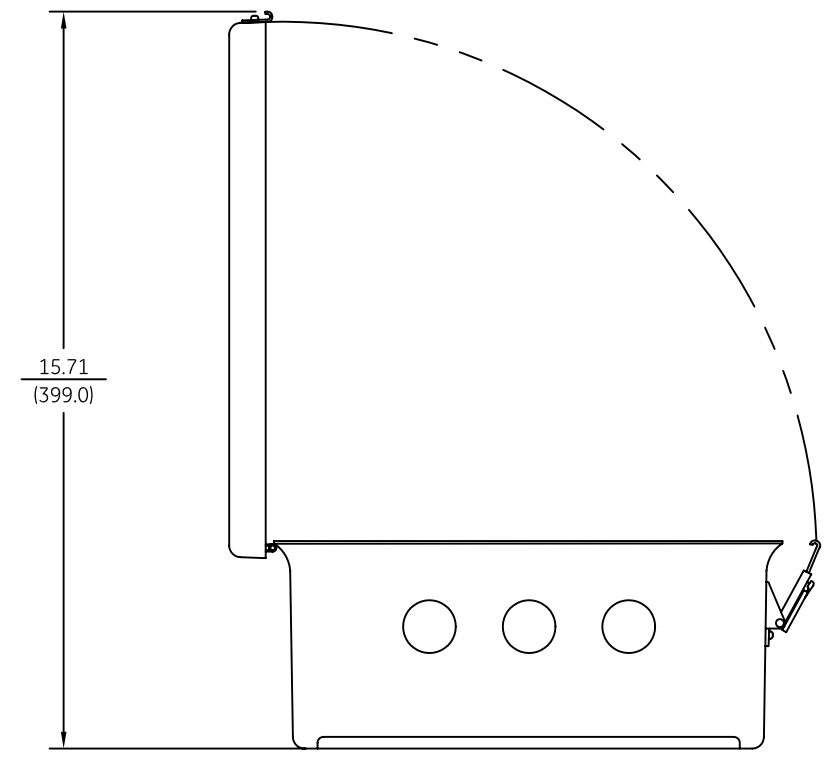
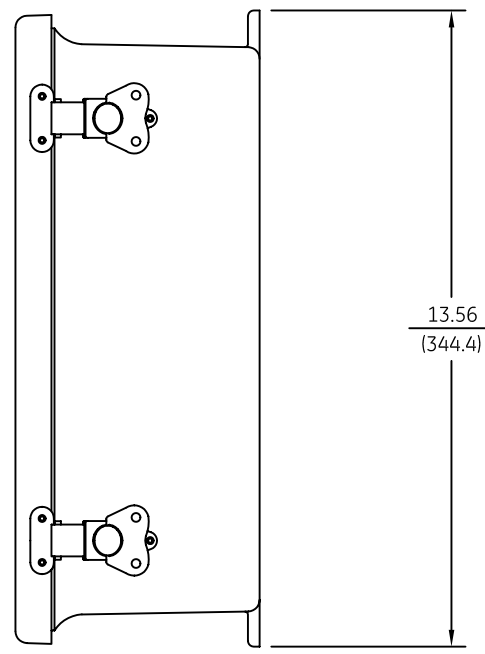
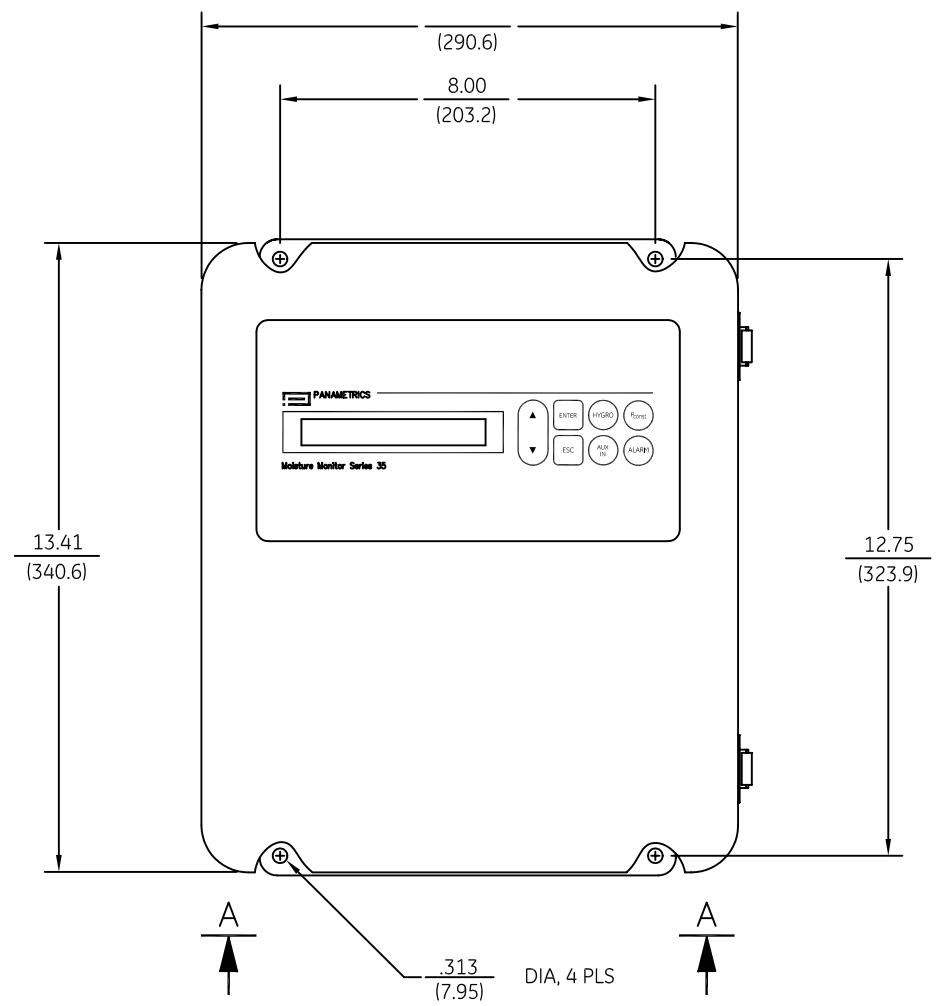
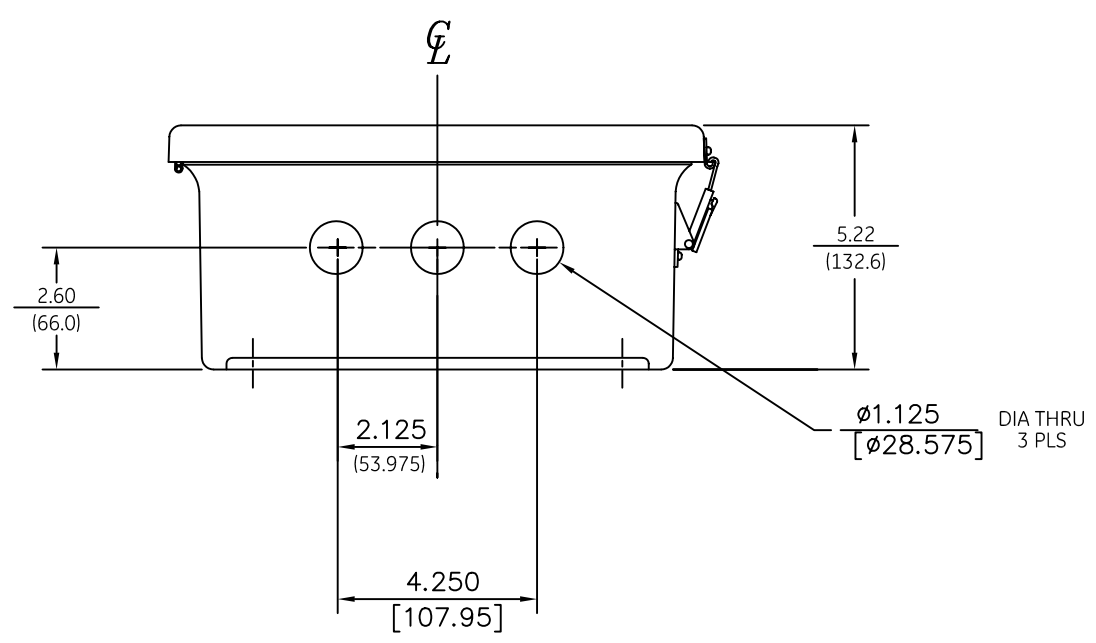


REVISIONS					
REV	ECO	DESCRIPTIONS	DWN	CKD	APVD
A	~	RELEASED TO ECO CONTROL	WM 6/6/95	MT 7/5/95	GT 7/5/95
B		CHANGED FORMAT & UPDATED PER ECO	PMH 2/17/06		PJC 2/20/06



VIEW A-A



NOTES:

1. DIMENSIONS: INCHES
(MM)
2. WEIGHT: 9.25 LB.
(4.20 KG)
3. ALL DIMENSIONS FOR REFERENCE ONLY

<small>UNLESS OTHERWISE SPECIFIED DIMENSIONS ARE IN INCHES FRACTIONS DECIMALS ANGLES</small> <small>±1/32" ±.01 ±1"</small> <small>XXX ±.005 SURFACE FINISH 125 ✓</small>		<small>GE Sensing</small> <small>1100 Technology Park Drive</small> <small>Billerica, MA 01821 USA</small>	
		<small>THIRD ANGLE PROJECTION</small>	<small>TITLE</small> OUTLINE & INSTALLATION MMS35 WEATHERPROOF
<small>DRAWN</small> 6/6/95 <small>W MORRIS</small>	<small>APP'D</small> 7/5/95 <small>G TSOPELAS</small>	<small>CHECKED</small> 7/5/95 <small>MT</small>	<small>SALES</small>
<small>CERT</small>	<small>QC</small>	<small>SIZE</small> D	<small>DRAWING NUMBER</small> 712-932
<small>MODEL NO.</small> MMS35	<small>GENERATED USING</small> <small>AUTOCAD</small>	<small>SCALE</small> 1:1	<small>DO NOT SCALE DWG</small>
<small>PROPRIETARY INFORMATION- THIS DRAWING CONTAINS PROPRIETARY INFORMATION OF GENERAL ELECTRIC CO. AND MAY NOT BE VIEWED OR DISCLOSED TO OTHERS, EXCEPT WITH THE WRITTEN PERMISSION OF GENERAL ELECTRIC CO.</small>	<small>REVISIONS</small>	<small>REVISIONS</small>	<small>SHEET 1 OF 1</small>