

10

9

8

7

6

5

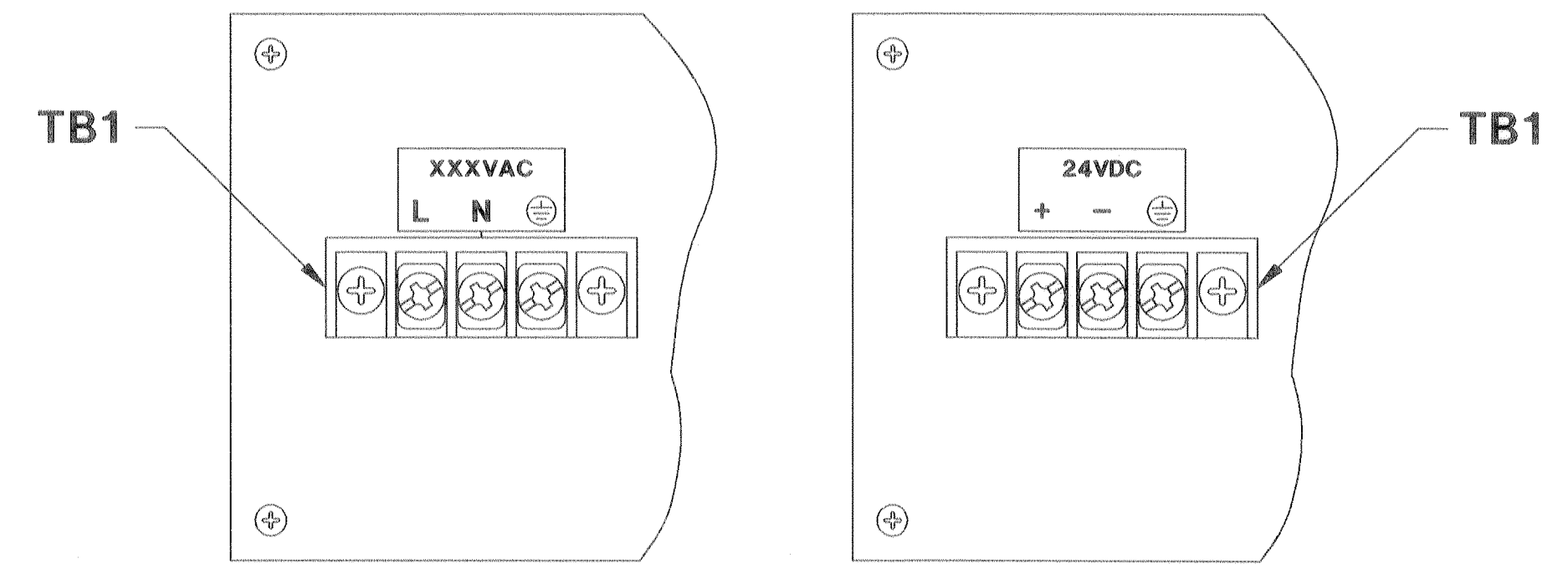
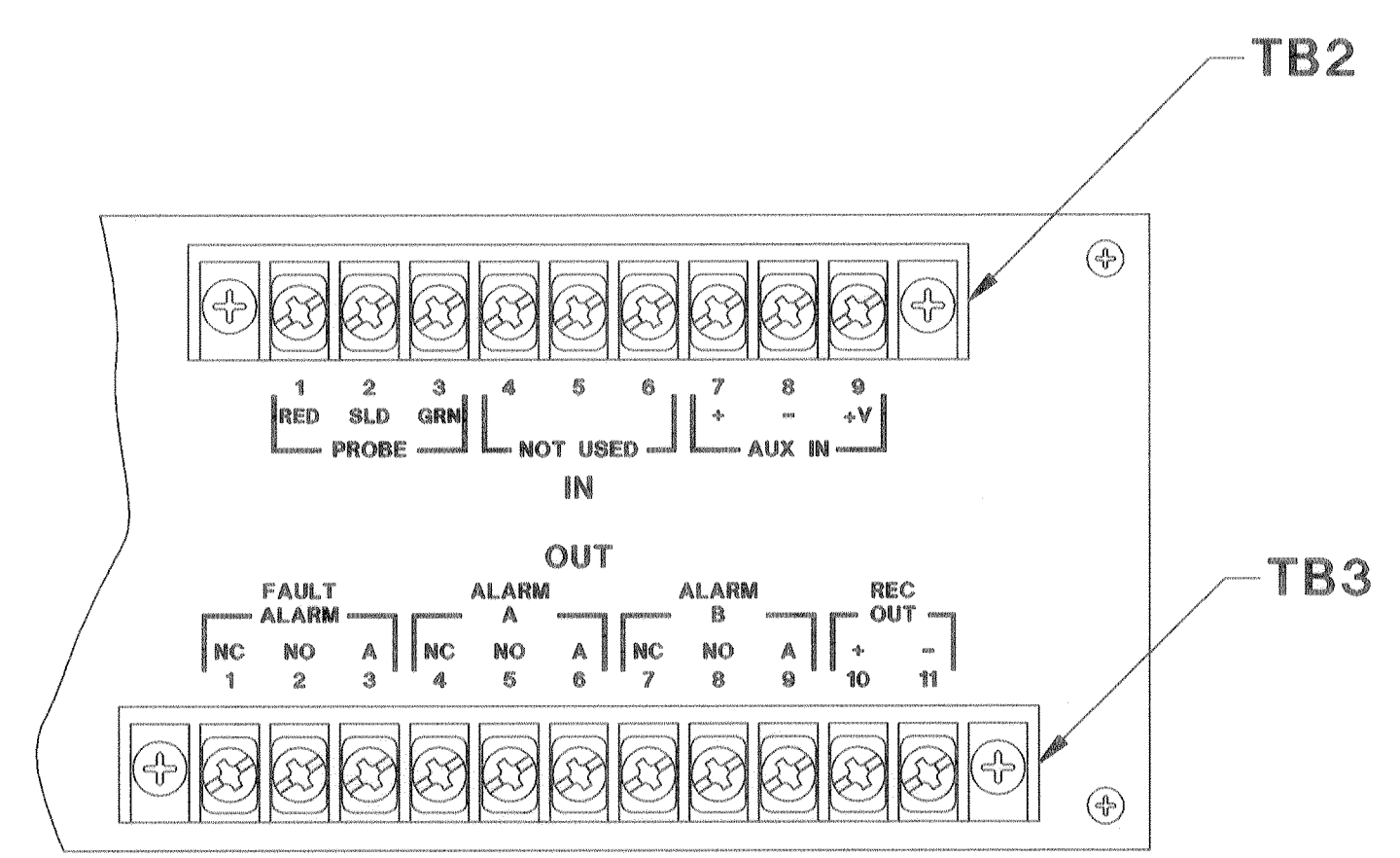
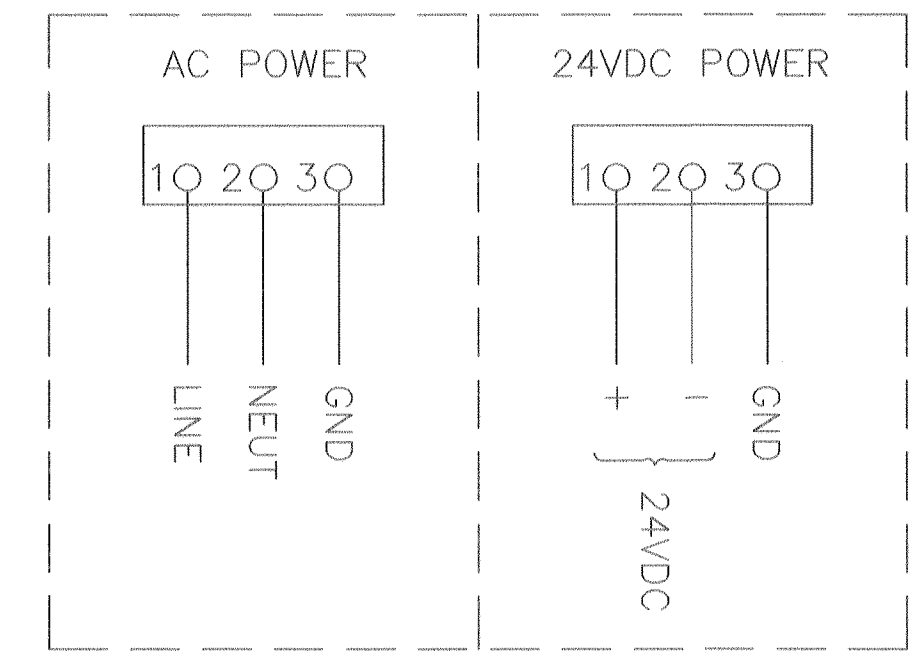
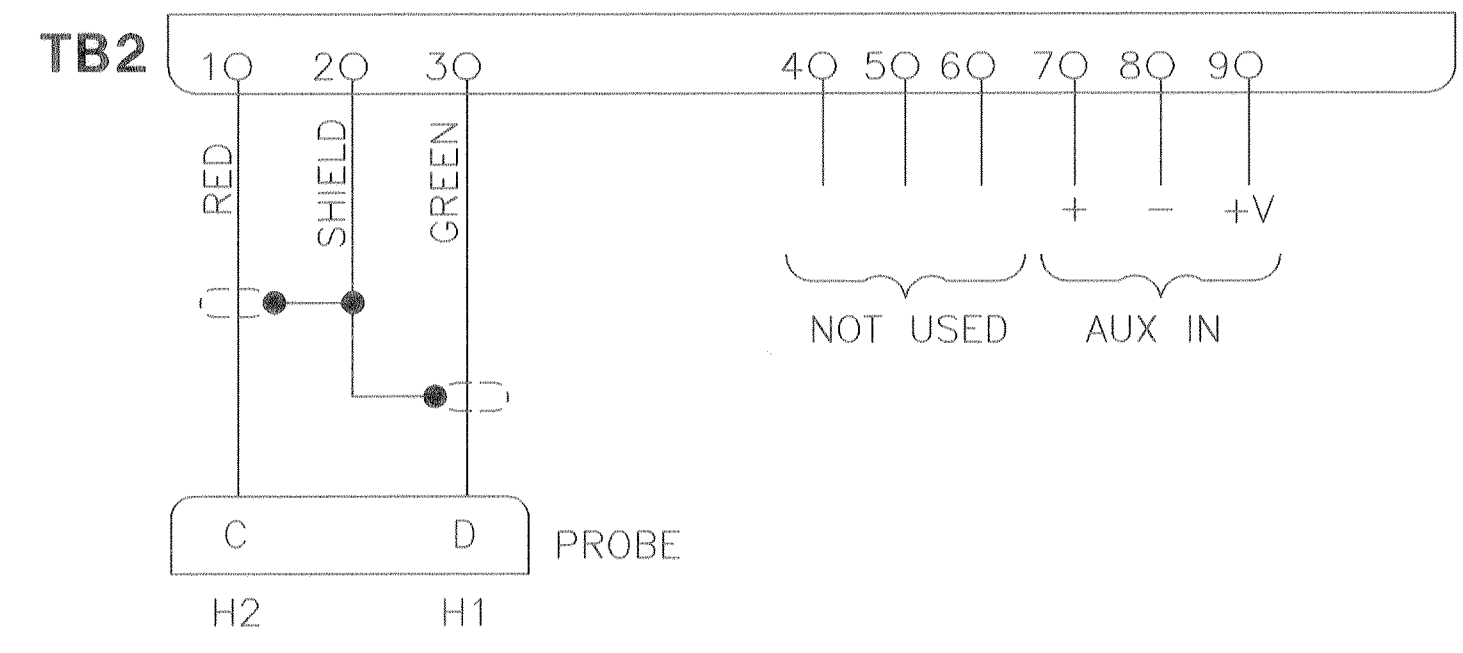
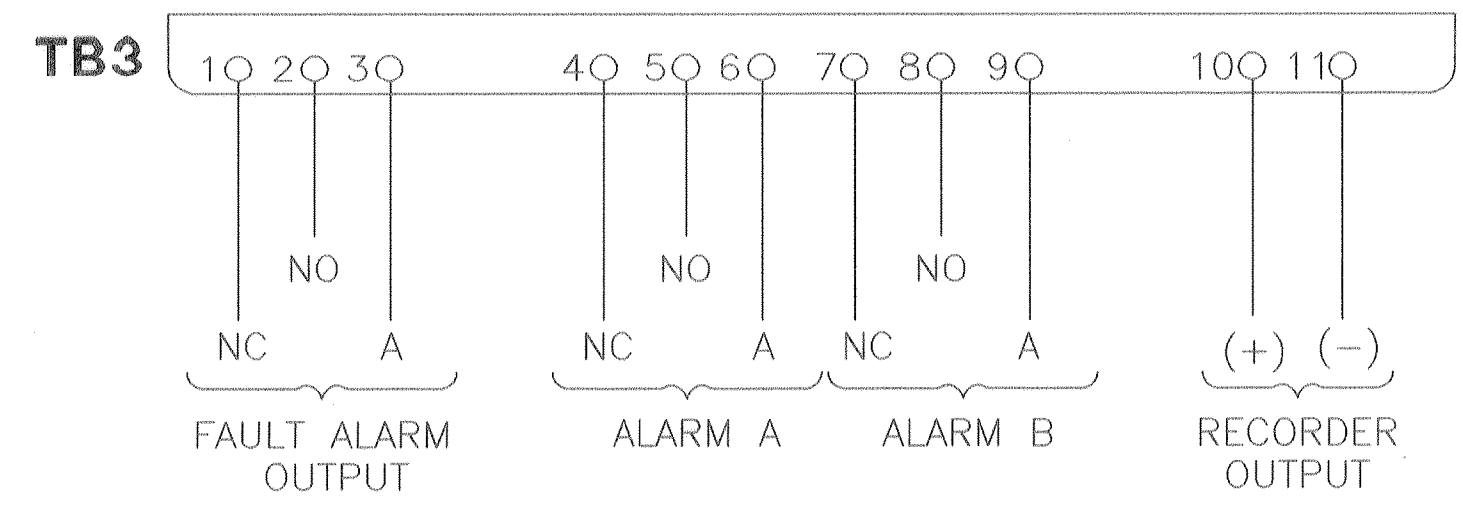
4

3

2

1

REVISIONS					
REV	ECO	DESCRIPTIONS	DWN	CKD	APVD
A	<i>W</i>	RELEASE TO ECO CONTROL	WPM 6/6/95	<i>WPM</i> 6/6/95	<i>WPM</i> 6/6/95



702-189

UNLESS OTHERWISE SPECIFIED DIMENSIONS ARE IN INCHES TOLERANCES ARE FRACTIONS DECIMALS ANGLES ± <i>W</i> .XX ± <i>W</i> ± <i>W</i> .XXX ± <i>W</i>		PANAMETRICS WALTHAM, MASS. 02154-3497	
DRAWN W. MORRIS 6/6/95		ENGINEER <i>Spencer</i>	
CHECKED <i>W. Morris</i>		TITLE INTERCONNECTION DIAGRAM WEATHERPROOF	
RN 3200		SIZE C	DRAWING NUMBER 702-189
MODEL NO. MMS35		SCALE FULL	REV A
DO NOT SCALE DWG		SHEET 1 OF 1	

10

9

8

7

6

5

4

3

2

1