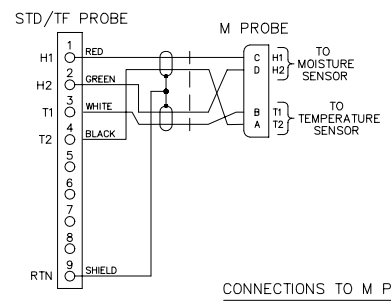
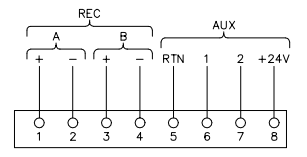
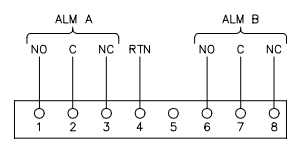
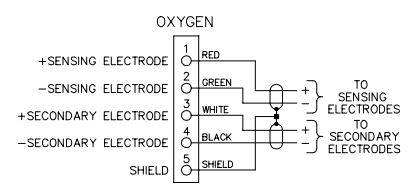


REVISIONS					
REV	ECO	DESCRIPTIONS	DWN	CKD	APVD
1	///	ORIGINATED FOR REV CONTROL	7/2/99		

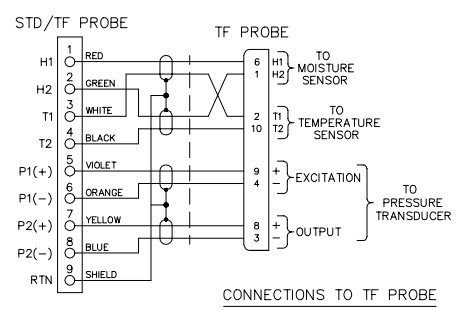


CONNECTIONS TO M PROBE

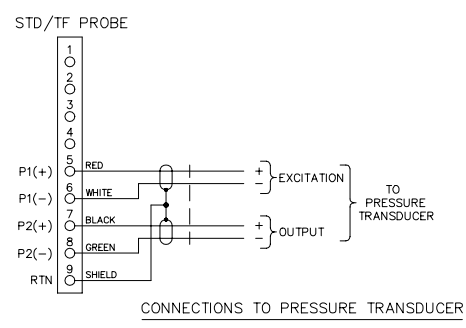


THE OUTPUT SELECTOR SWITCH ON THE PROPER CHANNEL CARD MUST BE IN THE "I" POSITION FOR CURRENT OUTPUT OR THE "V" POSITION FOR THE VOLTAGE OUTPUT

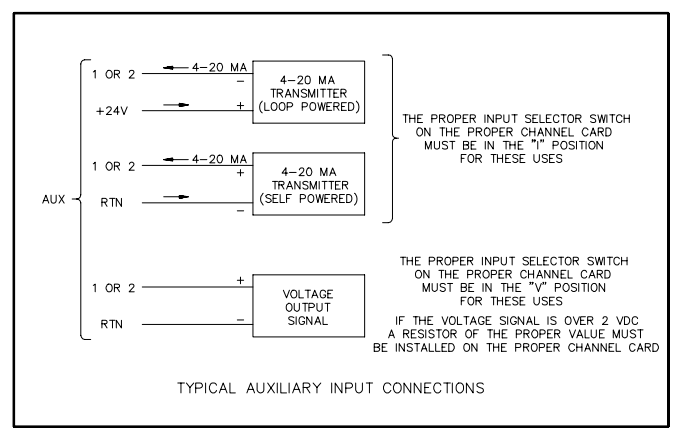
OUTPUTS



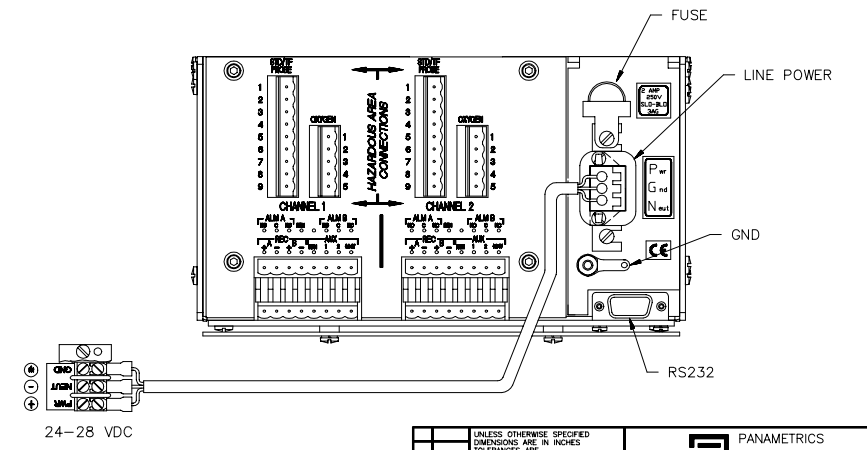
CONNECTIONS TO TF PROBE



CONNECTIONS TO PRESSURE TRANSDUCER



TYPICAL AUXILIARY INPUT CONNECTIONS



UNLESS OTHERWISE SPECIFIED DIMENSIONS ARE IN INCHES		TOLERANCES ARE FRACTIONS DECIMALS ANGLES		PANAMETRICS WALTHAM, MASS. 02254	
± .010		± .005		TITLE INTERCONNECTION DIAGRAM	
± .005		± .002		MMS-3	
DESIGN	7/2/99	ENGINEER		SIZE	D
CHECKED				DRAWING NUMBER	702-346
REV	1	REV	1	SCALE	FULL
ECO		MODEL NO.	MMS-3	DO NOT SCALE DWG	
				SHEET	1 OF 1