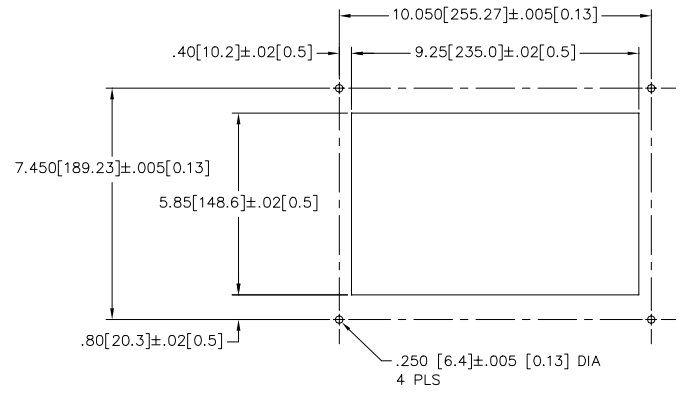
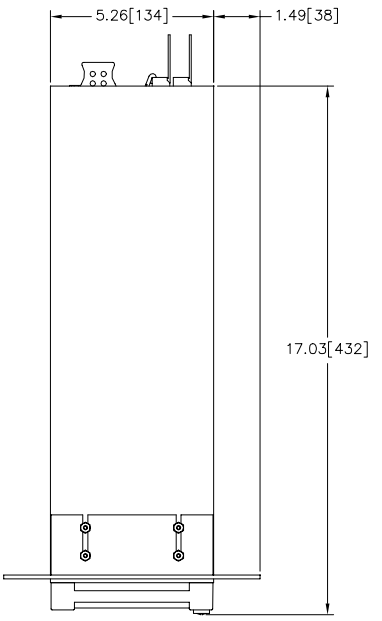
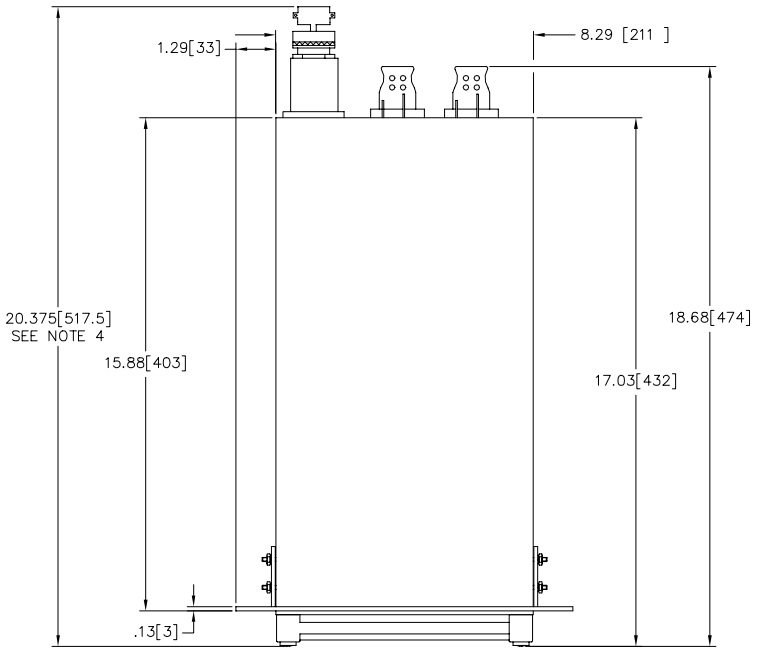
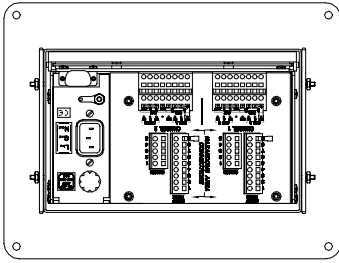
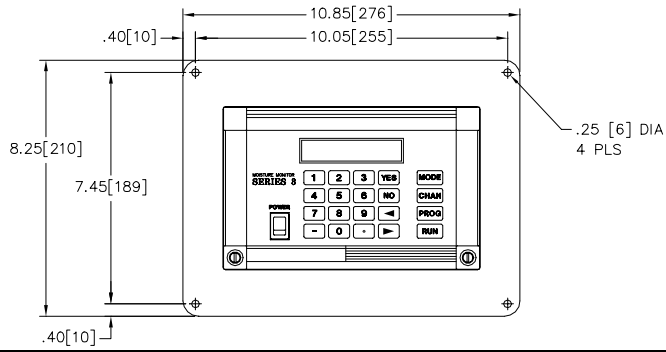


16 15 14 13 12 11 10 9 8 7 6 5 4 3 2 1

REVISIONS							
REV	ECO	DESCRIPTIONS			DWN	CKD	APVD
A	✎	ORIG &	RELEASED TO ECO	CTL	MS	RF	TK
B	03811	UPDATED PER ECO			HRP		



PANEL MOUNTING DETAIL



- NOTES:
1. DIMENSIONS: INCHES [MM]  
ALL DIMENSIONS ARE REF UNLESS OTHERWISE SPECIFIED
  2. APPROX WEIGHT W/BATTERY OPTION: 13.9 LB [6.3 KG]
  3. APPROX WEIGHT W/O BATTERY OPTION: 8.7 LB [3.9 KG]
  4. OVERALL LENGTH WITH CSA DIV 2 CONNECTOR

UNLESS OTHERWISE SPECIFIED DIMENSIONS ARE IN INCHES TOLERANCES ARE		<b>PANAMETRICS</b> WALTHAM, MASS. 02154-3497	
FRACTIONS	DECIMALS	ANGLES	TITLE
1/16	.001	1/16	OUTLINE AND INSTALLATION MOISTURE MONITOR SERIES 3 PANEL MOUNT
1/32	.0005	1/16	
1/64	.0002	1/16	
DRAWN: 7/24/98 ENGINEERS: 3/19/97 M. SCHEINA T.KOWAL		SIZE	DRAWING NUMBER
CHECKED: 3/18/97 P.FORTIER		D	712-241
B	03811	MODEL NO.	MMS-3
A	✎	SCALE	1/2
REV	ECO	DO NOT SCALE DWG	SHEET 1 OF 1

16 15 14 13 12 11 10 9 8 7 6 5 4 3 2 1