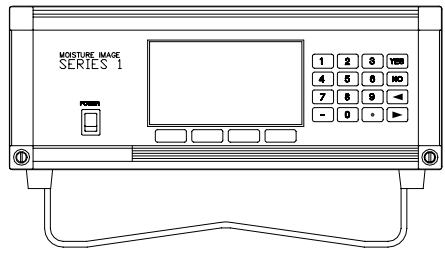
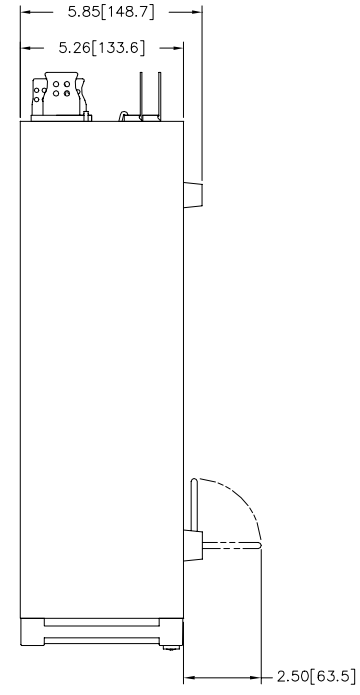
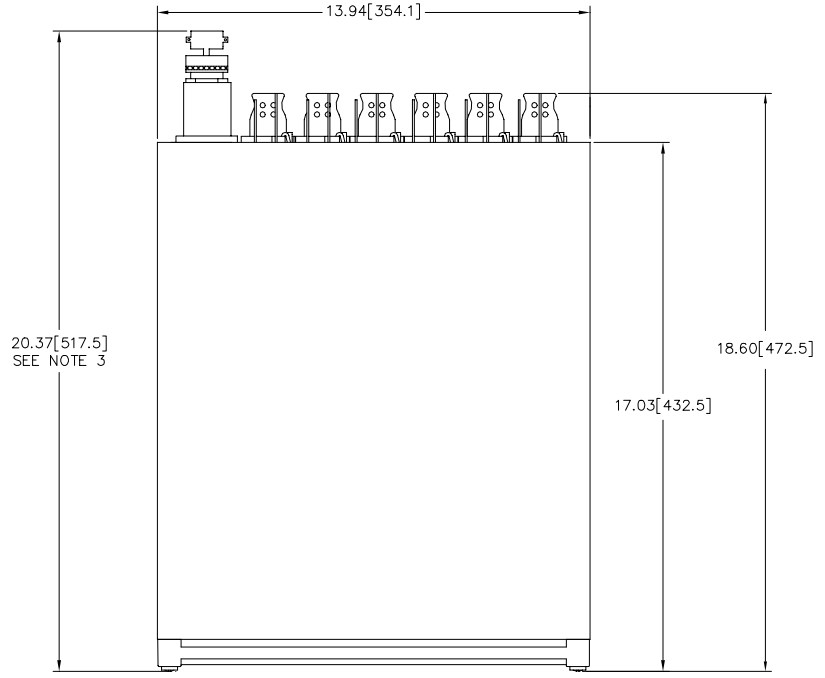
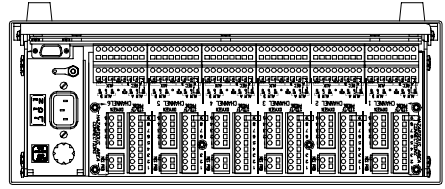


16 15 14 13 12 11 10 9 8 7 6 5 4 3 2 1

REVISIONS					
REV	ECO	DESCRIPTIONS	DWN	CKD	APVD
A	no	ORIG & RELEASED TO ECO CTL	MAS 11/8/96	R.Forster 11/15/96	T.K. 11/15/96
B	02516	UPDATED PER ECO	DHB 4-2-97	R.Forster 8/7/97	T.K. 8/7/97
C	03811	UPDATED PER ECO	HRP 1/23/01		



- NOTES:
1. DIMENSIONS: INCHES [MM]
  2. WEIGHT: 16.8 LB [7.6 KG]
  3. OVERALL LENGTH WITH CSA DIV. 2 CONNECTOR

UNLESS OTHERWISE SPECIFIED DIMENSIONS ARE IN INCHES TOLERANCES ARE		<b>PANAMETRICS</b> WALTHAM, MASS. 02154-3487	
FRACTIONS	DECIMALS	ANGLES	TITLE
1/16	.001	1/2	OUTLINE AND INSTALLATION MOISTURE IMAGE SERIES 1 BENCH UNIT
			SIZE
			D
			DRAWING NUMBER
			712-235
			REV
			C
C	03811	CHECKED	DATE
B	02516	11/14/96	
A	no	DRWEN 7/22/96 ENGINEER M. SCHENNA	T.K. 11/14/96
REV	ECO	MODEL NO.	MIS-1
		SCALE	FULL DO NOT SCALE DWG
		SHEET	1 OF 1

16 15 14 13 12 11 10 9 8 7 6 5 4 3 2 1