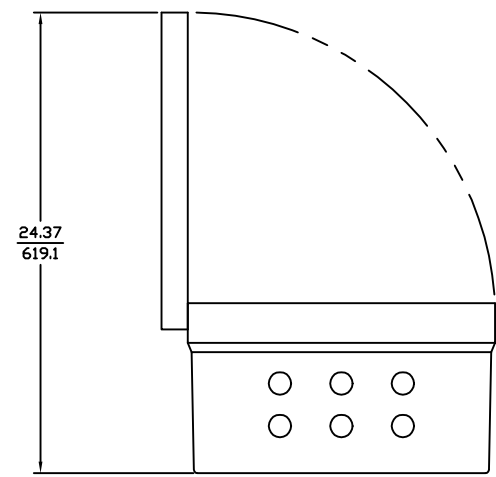
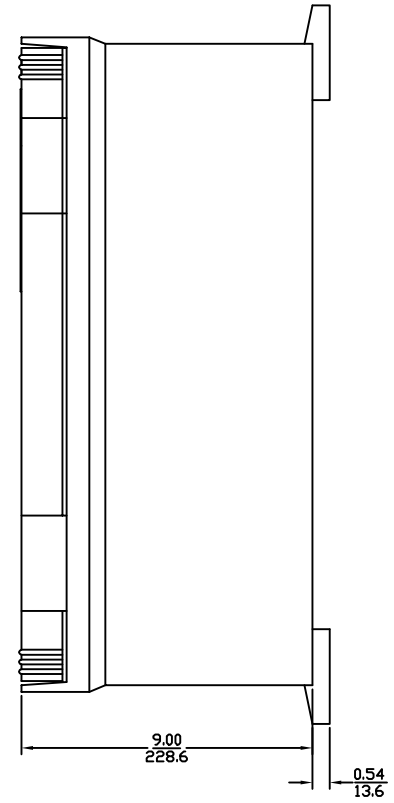
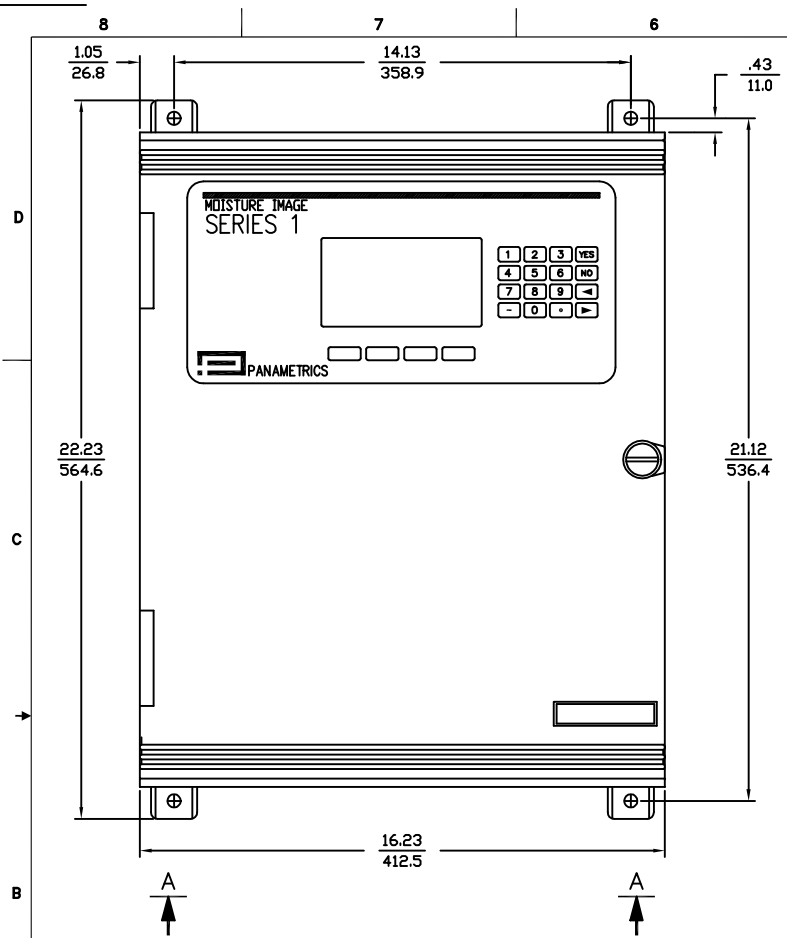
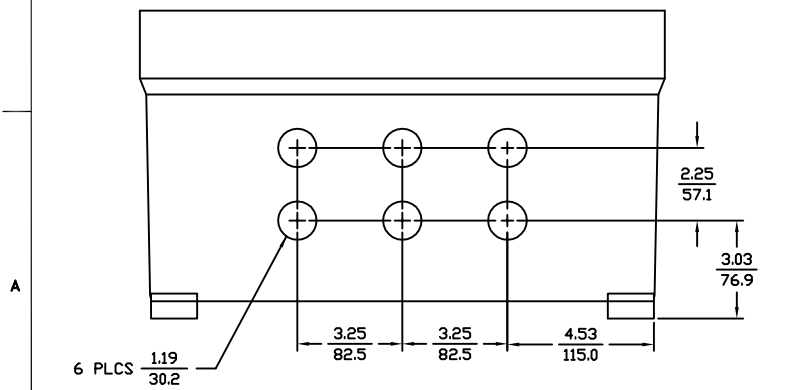


REV		ECO	DESCRIPTIONS	DWN	CKD	APVD
A			RELEASED TO ECO CNTRL	VPH 4/16/98	VPH 4/29/98	JWH 4/29/98
B	06905		UPDATED AS PER ECO	SA 12/28/08	RJC 12/28/08	PJC 12/28/08



VIEW A-A
NOT TO SCALE



- NOTES:
1. ALL DIMENSIONS IN INCHES
MM
 2. ALL DIMENSIONS ARE REFERENCE ONLY
 2. WEIGHT: 33.5 LBS
15.22 KG

UNLESS OTHERWISE SPECIFIED DIMENSIONS ARE IN INCHES TOLERANCES ARE FRACTIONS DECIMALS ANGLES 45/90° 30° & 60° 1/2°		THIRD ANGLE PROJECTION		GE Sensing 1100 Technology Park Dr. Billerica, MA 01821 USA	
JDD & JWS SURFACE FINISH		DWN VPH 4/16/98		TITLE OUTLINE & INSTALLATION	
© COPYRIGHT 1997 GENERAL ELECTRIC CO.		CHECKED VPH 4/29/98		MIS-1 WEATHERPROOF	
PROPRIETARY INFORMATION - THIS DRAWING CONTAINS PROPRIETARY INFORMATION OF GENERAL ELECTRIC CO. AND MAY NOT BE REPRODUCED OR DISCLOSED TO OTHERS WITHOUT THE WRITTEN PERMISSION OF GENERAL ELECTRIC CO.		R/N 4314		DRAWING NUMBER 712-1064	
		GENERATED USING AUTOCAD		REV B	
		MODEL NO. MIS-1		SCALE 1:2 DO NOT SCALE DWG SHEET 1 OF 1	